

Supplies4Heat

Radiators • Towel Rails • Valves

Supplies4Heat

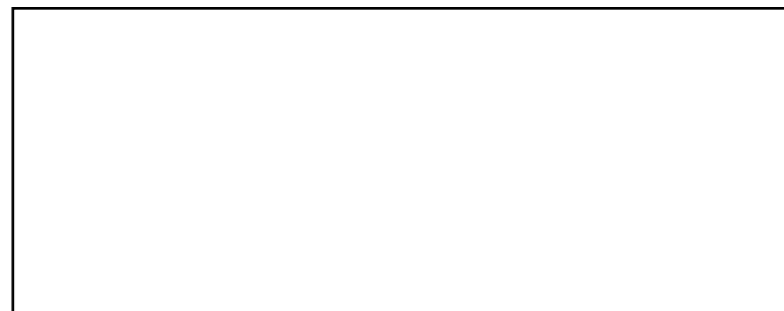
Radiators • Towel Rails • Valves



Supplies4Heat

Units 13-14 Charlwoods Road, East Grinstead, West Sussex, RH19 2HU

Tel. 01342 306880, Fax. 01342 306890, enquiries@supplies4heat.co.uk, www.supplies4heat.co.uk



A brand of **IRSAP**, Italy's leading manufacturer of design led radiators.

www.supplies4heat.co.uk

edition 16

Supplies4Heat Brochure - edition 16

Value & Service

At Supplies4Heat our aim is to provide you with a range of great value designer radiators and towel rails. We understand that you want a choice of good looking, good quality products, all delivered with reliable service and guarantees.

We promise;

- **Great Value:** quality products at affordable prices, made and certified to European standard EN442
- **All Products from Stock:** ready to be sent when you need them
- **+Valves Prices:** easy to order bundle options with our **+Valves** prices (includes matching valves)
- **Free 48-72 hour delivery for stock finishes:** Scotland and offshore islands may take longer where we aim to deliver within 5 working days
- **Optional Timed Next Day Delivery on selected Towel Rails:** to UK mainland only see page 3 for details
- **25 RAL Colours & 5 Special Finishes:** all white radiator & towel rail ranges now available in a choice of 25 RAL colours and 5 new special finishes see pages 74-75 for full details
- **Quality Guaranteed:** 10 year guarantee on radiators & towel rails made in our factories (see details on product pages).

To ensure that you get exactly what you need, our network of local Merchants will be able to provide expert advice and help with any plumbing and heating needs. For help calculating your heat output requirements, selecting your radiators or finding your local merchant or showroom please visit www.supplies4heat.co.uk.

Supplies4Heat is a brand of **IRSAP**, Italy's leading manufacturer of design led radiators.

If you cannot find what you are looking for in this brochure please refer to our other brand The Radiator Company for a wider choice; www.theradiatorcompany.co.uk or telephone 01342 302250 for a brochure.

A member of **MARC** www.marcuk.com

The Manufacturers Association of Radiators & Convectors, your guarantee of quality & performance



Our Brochure is now available through Easyquote software making quoting and ordering easier.

NEW 5 NEW SPECIAL FINISHES

New for this edition 5 Special Finishes for all radiators and towel rails that are currently available in RAL colours. Carbon, Gun Metal Grey, Mottled Copper, Mottled Silver & Textured Matt Black are available for delivery in up to 15 working days. See pages 74-75 for more information



Contents

Product	Page	Product	Page
RADIATORS			
CORNEL 2 Column	4 - 5	TALLIS Ladder Rail	50 - 51
CORNEL 3 Column	6 - 7	APSLEY	52 - 53
CORNEL 4 Column	8 - 9	WINSFORD Ladder Rail	54 - 55
CORNEL Bare Metal Lacquer	10 - 11	ARGYLL	56 - 57
FARADAY® Type 11 (K1)	12 - 13	MILTON	58 - 59
FARADAY® Type 22 (K2)	14 - 15	ASHBY	60 - 61
FARADAY® Type 21 (P+) Horizontal	16 - 17	LANARK	62 - 63
FARADAY® Type 21 (P+) Vertical	18 - 19	CLEVES	64 - 65
WESSEX	20 - 21	BOLEYN	66 - 67
SAXON Horizontal	22 - 23	<hr/>	
SAXON Vertical	24 - 25	VALVES	68 - 70
WOBURN Horizontal	26 - 27	ACCESSORIES	71 - 72
WOBURN Vertical	28 - 29	HEATING ELEMENTS	73
RADCLIFFE Horizontal	30 - 31	Special Finishes & RAL Colours	74 - 75
RADCLIFFE Vertical	32 - 33	<hr/>	
HADLOW Horizontal	34 - 35	Terms & Conditions;	
HADLOW Vertical	36 - 37	Please note VAT will be charged at the prevailing rate at time of invoice; at the time of going to print VAT is 20%.	
TALLIS Horizontal	38 - 39	For a copy of the Supplies4Heat full Terms & Conditions please call 01342 306880 or visit www.supplies4heat.co.uk	
TALLIS Vertical	40 - 41	Radiators are produced and outputs measured according to the European standard EN442 which uses Delta t50°c (Δt).	
CHAUCER Horizontal	42 - 43	<hr/>	
CHAUCER Vertical	44 - 45		
BEAUFORT Horizontal	46 - 47		
BEAUFORT Vertical	48 - 49		

NEW NEXT DAY DELIVERY FOR TOWEL RAILS IN STANDARD FINISHES

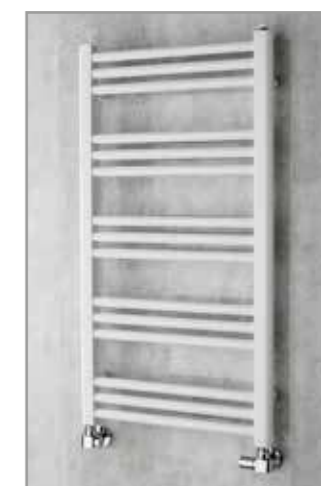


We now offer a selection of timed Next Day Delivery for Towel Rails, Valves & Accessories.

All products available for optional Next Day delivery will have this symbol on the page. Products available under this service; APSLEY, TALLIS LADDER RAIL, WINSFORD LADDER RAIL, ARGYLL, MILTON, ASHBY, LANARK, CLEVES & BOLEYN plus all VALVES & ACCESSORIES.

NEXT DAY TIMED DELIVERY'S*			
SERVICE	PRICE		AREAS COVERED
	TOWEL RAILS	VALVES & ACCESSORIES	
Next Day 8am - 6pm	£20	£10	All England and Wales, plus Scottish postcodes; AB,DD,DG,EH,FK,G,KY,ML
Pre Noon	£25	£15	All England and Wales, plus Scottish postcodes; DD,DG,EH,FK,G,KY,ML
Pre 10.30	£35	£25	All England and Wales only
Saturday	£50	£30	All England and Wales only

*Please note that we endeavour to achieve all deliveries in the agreed timescales, however cannot be held accountable for factors out of our control such as road closures, accidents or adverse weather conditions which may delay or impede deliveries. Where your next day delivery does not arrive in the allotted timescale we will offer a full no quibble refund for the value of the selected delivery service. Orders need to be received by 12 noon latest to ensure despatch.



Stocked WINSFORD Ladder Rail in White RAL 9016 available for optional Next Day delivery.

CORNEL 2 Column

- Italian design & manufacture, certified to EN442
- +Valves prices include Chrome or White KINGSTON TRV's*
- Wall Brackets as standard; optional Stud Wall & Solid available
- Optional Floor Mounts; Slip on Feet & Cast Feet (floor mount)
- Standard White RAL 9016 delivered in 48-72 hours
- 25 RAL colours, 5 special finishes, up to 15 working days (pages 74-75)



All prices include standard Wall Brackets, alternative mounting options available at a supplementary price, please specify at time of order.

Dimensions (mm)			Sections	Output Δt 50°C		Product Code	White Ex VAT	White Inc VAT	Colour Ex VAT	Colour Inc VAT	White +Valves Ex VAT	White +Valves Inc VAT	Colour +Valves Ex VAT	Colour +Valves Inc VAT
Height	Width	Depth		Watts	Btu's									
Horizontal														
500	609	65	13	468	1597	CORN2C506013H	£184.00	£220.80	£264.00	£316.80	£241.00	£289.20	£321.00	£385.20
	834	65	18	648	2211	CORN2C508318H	£243.00	£291.60	£355.00	£426.00	£300.00	£360.00	£412.00	£494.40
	1014	65	22	792	2702	CORN2C501022H	£291.00	£349.20	£432.00	£518.40	£348.00	£417.60	£489.00	£586.80
	1194	65	26	936	3194	CORN2C501126H	£337.00	£404.40	£502.00	£602.40	£394.00	£472.80	£559.00	£670.80
	1374	65	30	1080	3685	CORN2C501330H	£398.00	£477.60	£612.00	£734.40	£455.00	£546.00	£669.00	£802.80
600	609	65	13	559	1907	CORN2C606013H	£191.00	£229.20	£266.00	£319.20	£248.00	£297.60	£323.00	£387.60
	834	65	18	774	2641	CORN2C608318H	£253.00	£303.60	£354.00	£424.80	£310.00	£372.00	£411.00	£493.20
	1014	65	22	946	3228	CORN2C601022H	£302.00	£362.40	£457.00	£548.40	£359.00	£430.80	£514.00	£616.80
	1194	65	26	1118	3815	CORN2C601126H	£355.00	£426.00	£514.00	£616.80	£412.00	£494.40	£571.00	£685.20
	1374	65	30	1290	4401	CORN2C601330H	£415.00	£498.00	£651.00	£781.20	£472.00	£566.40	£708.00	£849.60
750	519	65	11	572	1952	CORN2C755111H	£165.00	£198.00	£263.00	£315.60	£222.00	£266.40	£320.00	£384.00
	609	65	13	676	2307	CORN2C756013H	£203.00	£243.60	£311.00	£373.20	£260.00	£312.00	£368.00	£441.60
	834	65	18	936	3194	CORN2C758318H	£267.00	£320.40	£412.00	£494.40	£324.00	£388.80	£469.00	£562.80
Vertical														
1800	339	65	7	868	2962	CORN2C183307V	£202.00	£242.40	£296.00	£355.20	£259.00	£310.80	£353.00	£423.60
	429	65	9	1116	3808	CORN2C184209V	£255.00	£306.00	£375.00	£450.00	£312.00	£374.40	£432.00	£518.40
	519	65	11	1364	4654	CORN2C185111V	£308.00	£369.60	£452.00	£542.40	£365.00	£438.00	£509.00	£610.80
	609	65	13	1612	5500	CORN2C186013V	£363.00	£435.60	£528.00	£633.60	£420.00	£504.00	£585.00	£702.00

Widths include measurement for bushes. See page 8 for pipe centres.

*+Valves Prices include Chrome or White KINGSTON TRV's, please specify colour and angled or straight at time of order.

Standard Wall Brackets

Optional Wall Brackets For Solid Walls

Bracket Length
2 column = 173mm

Optional Stud Wall Brackets

Pipe centres from wall
2 Column = 70mm - 80mm

Please Note:
4 brackets required per radiator up to 18 sections, 22 - 30 sections require 6 brackets (see page 70 for more details).

Optional Slip on Feet

100mm

Please Note:
2 Feet per radiator up to 18 sections, 3 feet for 22-30 sections

Optional Floor Mount

30mm
105mm
104mm

Alternative Mounting Options

Mounting	Slip on Feet (each)	Floor Mount (each)	Stud Wall Brackets		Solid Wall Bracket	
			2 Column	2 Column	2 Column (4 Brackets)	2 Column (6 Brackets)
Column	2 Column	2 Column	2 Column (4 Brackets)	2 Column (6 Brackets)	2 Column (4 Brackets)	2 Column (6 Brackets)
Product Code	CORN2C50F02	CORN2C50FM	CORN2C50STWB2&3C4	CORN2C50STWB2&3C6	CORN2C50SOWB2C4	CORN2C50SOWB2C6
White Ex VAT	£35.00	£22.00	£41.00	£61.00	£24.00	£36.00
White Inc VAT	£42.00	£26.40	£49.20	£73.20	£28.80	£43.20
Colour Ex VAT	£45.00	£34.00	£53.00	£80.00	£33.00	£50.00
Colour Inc VAT	£54.00	£40.80	£63.60	£96.00	£39.60	£60.00



NEW SPECIAL FINISHES (shown left to right)

Carbon, Gun Metal Grey, Mottled Copper, Mottled Silver, Textured Matt Black, see pages 74-75 for more information.



Please note: Due to printing processes & manufacturing tolerances the colour of finished radiators may vary from the colours represented in this brochure.

+Valves Prices include Chrome or White KINGSTON TRV's in angled or straight.



Please specify at time of order



Matching CORNEL Towel Bar (p.71).



New special finish Mottled Copper (p.75).



◆ CORNEL Vertical 2 Column, 1800mm x 339mm with optional Slip on Feet and KINGSTON TRV's.

CORNEL 3 Column

- Italian design & manufacture, certified to EN442
- +Valves prices include Chrome or White KINGSTON TRV's*
- Wall Brackets as standard; optional Stud Wall & Solid available
- Optional Floor Mounts; Slip on Feet & Cast Feet (floor mount)
- Standard White RAL 9016 delivered in 48-72 hours
- 25 RAL colours, 5 special finishes, up to 15 working days (pages 74-75)



All prices include standard Wall Brackets, alternative mounting options available at a supplementary price, please specify at time of order.

Dimensions (mm)			Sections	Output Δt 50°C		Product Code	White Ex VAT	White Inc VAT	Colour Ex VAT	Colour Inc VAT	White +Valves Ex VAT	White +Valves Inc VAT	Colour +Valves Ex VAT	Colour +Valves Inc VAT
Height	Width	Depth		Watts	Btu's									
Horizontal														
300	969	101	21	672	2293	CORN3C309621H	£283.00	£339.60	£389.00	£466.80	£340.00	£408.00	£446.00	£535.20
	1194	101	26	832	2839	CORN3C301126H	£341.00	£409.20	£469.00	£562.80	£398.00	£477.60	£526.00	£631.20
	1374	101	30	960	3276	CORN3C301330H	£387.00	£464.40	£534.00	£640.80	£444.00	£532.80	£591.00	£709.20
500	609	101	13	663	2262	CORN3C506013H	£194.00	£232.80	£287.00	£344.40	£251.00	£301.20	£344.00	£412.80
	834	101	18	918	3132	CORN3C508318H	£263.00	£315.60	£403.00	£483.60	£320.00	£384.00	£460.00	£552.00
	1014	101	22	1122	3828	CORN3C501022H	£345.00	£414.00	£521.00	£625.20	£402.00	£482.40	£578.00	£693.60
	1194	101	26	1326	4524	CORN3C501126H	£388.00	£465.60	£599.00	£718.80	£445.00	£534.00	£656.00	£787.20
	1374	101	30	1530	5220	CORN3C501330H	£451.00	£541.20	£658.00	£789.60	£508.00	£609.60	£715.00	£858.00
	1599	101	35	1785	6090	CORN3C501535H	£527.00	£632.40	£801.00	£961.20	£584.00	£700.80	£858.00	£1,029.60
	1824	101	40	2040	6960	CORN3C501840H	£600.00	£720.00	£913.00	£1,095.60	£657.00	£788.40	£970.00	£1,164.00
600	609	101	13	780	2661	CORN3C606013H	£197.00	£236.40	£289.00	£346.80	£254.00	£304.80	£346.00	£415.20
	834	101	18	1080	3685	CORN3C608318H	£269.00	£322.80	£406.00	£487.20	£326.00	£391.20	£463.00	£555.60
	1014	101	22	1320	4504	CORN3C601022H	£354.00	£424.80	£526.00	£631.20	£411.00	£493.20	£583.00	£699.60
	1194	101	26	1560	5323	CORN3C601126H	£392.00	£470.40	£600.00	£720.00	£449.00	£538.80	£657.00	£788.40
	1374	101	30	1800	6142	CORN3C601330H	£456.00	£547.20	£714.00	£856.80	£513.00	£615.60	£771.00	£925.20
	1599	101	35	2100	7165	CORN3C601535H	£534.00	£640.80	£835.00	£1,002.00	£591.00	£709.20	£892.00	£1,070.40
750	519	101	11	814	2777	CORN3C755111H	£192.00	£230.40	£307.00	£368.40	£249.00	£298.80	£364.00	£436.80
	609	101	13	962	3282	CORN3C756013H	£237.00	£284.40	£353.00	£423.60	£294.00	£352.80	£410.00	£492.00
	834	101	18	1332	4545	CORN3C758318H	£312.00	£374.40	£469.00	£562.80	£369.00	£442.80	£526.00	£631.20
	1014	101	22	1628	5555	CORN3C751022H	£387.00	£464.40	£575.00	£690.00	£444.00	£532.80	£632.00	£758.40
Vertical														
1800	339	101	7	1176	4013	CORN3C183307V	£280.00	£336.00	£425.00	£510.00	£337.00	£404.40	£482.00	£578.40
	429	101	9	1512	5159	CORN3C184209V	£344.00	£412.80	£518.00	£621.60	£401.00	£481.20	£575.00	£690.00
	519	101	11	1848	6305	CORN3C185111V	£404.00	£484.80	£602.00	£722.40	£461.00	£553.20	£659.00	£790.80
	609	101	13	2184	7452	CORN3C186013V	£488.00	£585.60	£719.00	£862.80	£545.00	£654.00	£776.00	£931.20

Widths include measurement for bushes. See page 8 for pipe centres.

**+Valves Prices include Chrome or White KINGSTON TRV's, please specify colour and angled or straight at time of order.

Standard Wall Brackets

Optional Wall Brackets For Solid Walls

Bracket Length
3 column = 192mm

Optional Stud Wall Brackets

Pipe centres from wall
3 Column = 70mm - 80mm

Please Note:
4 brackets required per radiator up to 18 sections, 21 - 40 sections require 6 brackets (see page 70 for more details).

Optional Slip on Feet

100mm

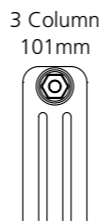
Please Note: 2 Feet per radiator up to 18 sections, 3 feet for 21 - 30 sections, 4 Feet for 35 - 40 sections

Optional Floor Mount

30mm
105mm
104mm

Alternative Mounting Options

Mounting	Slip on Feet (each)	Floor Mount (each)	Stud Wall Brackets		Solid Wall Bracket	
			3 Column (4 Brackets)	3 Column (6 Brackets)	3 Column (4 Brackets)	3 Column (6 Brackets)
Column	3 Column	3 Column	3 Column (4 Brackets)	3 Column (6 Brackets)	3 Column (4 Brackets)	3 Column (6 Brackets)
Product Code	CORN3C309621H	CORN3C301126H	CORN3C301330H	CORN3C506013H	CORN3C508318H	CORN3C501022H
White Ex VAT	£37.00	£22.00	£41.00	£61.00	£28.00	£42.00
White Inc VAT	£44.40	£26.40	£49.20	£73.20	£33.60	£50.40
Colour Ex VAT	£48.00	£34.00	£53.00	£80.00	£37.00	£56.00
Colour Inc VAT	£57.60	£40.80	£63.60	£96.00	£44.40	£67.20



◆ CORNEL 3 Column, 600mm x 1014mm in special finish Mottled Copper with optional Slip on Feet & Antique Copper KINGSTON TRV's.



25 RAL colours & 5 special finishes (p.74-75) CORNEL shown RAL 1013.



Optional Stud Wall Bracket.

+Valves Prices include Chrome or White KINGSTON TRV's in angled or straight.



Please specify at time of order

CORNEL 4 Column

- Italian design & manufacture, certified to EN442
- +Valves prices include Chrome or White KINGSTON TRV's*
- Wall Brackets as standard; optional Stud Wall & Solid available
- Optional Floor Mounts; Slip on Feet & Cast Feet (floor mount)
- Standard White RAL 9016 delivered in 48-72 hours
- 25 RAL colours, 5 special finishes, up to 15 working days (pages 74-75)

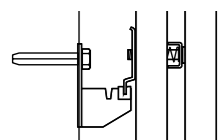


All prices include standard Wall Brackets, alternative mounting options available at a supplementary price, please specify at time of order.

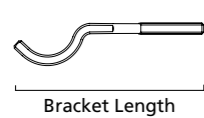
Dimensions (mm)			Sections	Output Δt 50°C		Product Code	White Ex VAT	White Inc VAT	Colour Ex VAT	Colour Inc VAT	White +Valves Ex VAT	White +Valves Inc VAT	Colour +Valves Ex VAT	Colour +Valves Inc VAT
Height	Width	Depth		Watts	Btu's									
300	969	139	21	882	3009	CORN4C309621H	£329.00	£394.80	£441.00	£529.20	£386.00	£463.20	£498.00	£597.60
	1194	139	26	1092	3726	CORN4C301126H	£393.00	£471.60	£530.00	£636.00	£450.00	£540.00	£587.00	£704.40
	1374	139	30	1260	4299	CORN4C301330H	£445.00	£534.00	£603.00	£723.60	£502.00	£602.40	£660.00	£792.00
500	609	139	13	858	2927	CORN4C506013H	£219.00	£262.80	£318.00	£381.60	£276.00	£331.20	£375.00	£450.00
	834	139	18	1188	4053	CORN4C508318H	£303.00	£363.60	£459.00	£550.80	£360.00	£432.00	£516.00	£619.20
	1014	139	22	1452	4954	CORN4C501022H	£376.00	£451.20	£568.00	£681.60	£433.00	£519.60	£625.00	£750.00
	1194	139	26	1716	5855	CORN4C501126H	£449.00	£538.80	£674.00	£808.80	£506.00	£607.20	£731.00	£877.20
	1374	139	30	1980	6756	CORN4C501330H	£505.00	£606.00	£759.00	£910.80	£562.00	£674.40	£816.00	£979.20
	1599	139	35	2310	7882	CORN4C501535H	£586.00	£703.20	£884.00	£1,060.80	£643.00	£771.60	£941.00	£1,129.20
600	1824	139	40	2640	9008	CORN4C501840H	£668.00	£801.60	£1,009.00	£1,210.80	£725.00	£870.00	£1,066.00	£1,279.20
	609	139	13	1027	3504	CORN4C606013H	£220.00	£264.00	£320.00	£384.00	£277.00	£332.40	£377.00	£452.40
	834	139	18	1422	4852	CORN4C608318H	£307.00	£368.40	£460.00	£552.00	£364.00	£436.80	£517.00	£620.40
	1014	139	22	1738	5930	CORN4C601022H	£380.00	£456.00	£571.00	£685.20	£437.00	£524.40	£628.00	£753.60
	1194	139	26	2054	7008	CORN4C601126H	£453.00	£543.60	£675.00	£810.00	£510.00	£612.00	£732.00	£878.40
	1374	139	30	2370	8086	CORN4C601330H	£511.00	£613.20	£789.00	£946.80	£568.00	£681.60	£846.00	£1,015.20
750	519	139	11	1056	3603	CORN4C755111H	£210.00	£252.00	£335.00	£402.00	£267.00	£320.40	£392.00	£470.40
	609	139	13	1248	4258	CORN4C756013H	£250.00	£300.00	£385.00	£462.00	£307.00	£368.40	£442.00	£530.40
	834	139	18	1728	5896	CORN4C758318H	£350.00	£420.00	£514.00	£616.80	£407.00	£488.40	£571.00	£685.20
	1014	139	22	2112	7206	CORN4C751022H	£411.00	£493.20	£622.00	£746.40	£468.00	£561.60	£679.00	£814.80

Widths include measurement for bushes. **+Valves Prices include Chrome or White KINGSTON TRV's, please specify colour and angled or straight at time of order.

Standard Wall Brackets

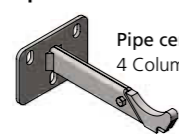


Optional Wall Brackets For Solid Walls



Bracket Length
4 column = 211mm

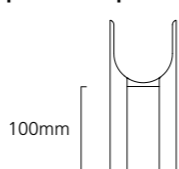
Optional Stud Wall Brackets



Pipe centres from wall
4 Column = 95mm - 130mm

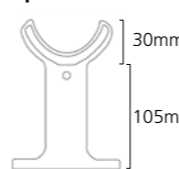
Please Note:
4 brackets required per radiator up to 18 sections, 21 - 40 sections require 6 brackets (see page 70 for more details).

Optional Slip on Feet



100mm

Optional Floor Mount



30mm

105mm

Please Note: 2 Feet per radiator up to 18 sections, 3 feet for 21 - 30 sections, 4 Feet for 35 - 40 sections

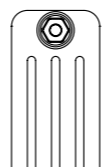
Alternative Mounting Options

Mounting	Slip on Feet (each)	Floor Mount (each)	Stud Wall Brackets		Solid Wall Bracket	
			4 Column	4 Column	4 Column (4 Brackets)	4 Column (6 Brackets)
Product Code	CORNISOFO4	CORNFM	CORNSTWB4C4	CORNSTWB4C6	CORNISOWB4C4	CORNISOWB4C6
White Ex VAT	£39.00	£22.00	£45.00	£68.00	£33.00	£50.00
White Inc VAT	£46.80	£26.40	£54.00	£81.60	£39.60	£60.00
Colour Ex VAT	£50.00	£34.00	£60.00	£89.00	£46.00	£68.00
Colour Inc VAT	£60.00	£40.80	£72.00	£106.80	£55.20	£81.60

Pipe Centres for 2, 3 & 4 column (excludes Stud Wall Brackets)

Pipe centres left to right = Width of radiator plus valves
 Pipe centres from wall = 2 column = 64mm - 74mm, 3 column = 82mm - 92mm, 4 column = 102mm - 112mm
 (Based on adjustable wall ties)

4 Column
139mm



Sections are
45mm wide



◆ CORNEL Horizontal 4 Column, 500mm x 834mm in RAL 9016 with optional Slip on Feet.



New special finish Mottled Copper (p.75).



2 Column option available (p.4).

+Valves Prices include Chrome or White KINGSTON TRV's in angled or straight.



Please specify at time of order

CORNEL Bare Metal Lacquer

- Italian design & manufacture, certified to EN442
- +Valves prices include Chrome or White KINGSTON TRV's*
- 2, 3 & 4 column options
- Available in 4 heights & up to 11 widths; set sizes only
- Wall Brackets as standard, Optional Slip on Feet available
- Delivered within 48-72 hours



All prices include standard Wall Brackets, Slip on feet available at a supplementary price, please specify at time of order.

No. of Columns	Dimensions (mm)			Sections	Output Δt 50°C		Product Code	Lacquer Ex VAT	Lacquer Inc VAT	Lacquer +Valves Ex VAT	Lacquer +Valves Inc VAT
	Height	Width	Depth		Watts	Btu's					
Horizontal 3 Column	500	429	101	9	459	1566	CORN3C504209HL	£177.00	£212.40	£234.00	£280.80
		609	101	13	663	2262	CORN3C506013HL	£251.00	£301.20	£308.00	£369.60
		834	101	18	918	3132	CORN3C508318HL	£344.00	£412.80	£401.00	£481.20
		1014	101	22	1122	3828	CORN3C501022HL	£417.00	£500.40	£474.00	£568.80
	600	1194	101	26	1326	4524	CORN3C501126HL	£491.00	£589.20	£548.00	£657.60
		609	101	13	780	2661	CORN3C606013HL	£254.00	£304.80	£311.00	£373.20
		834	101	18	1080	3685	CORN3C608318HL	£348.00	£417.60	£405.00	£486.00
		1014	101	22	1320	4504	CORN3C601022HL	£422.00	£506.40	£479.00	£574.80
Horizontal 4 Column	500	1194	101	26	1560	5323	CORN3C601126HL	£497.00	£596.40	£554.00	£664.80
		474	139	10	660	2252	CORN4C504710HL	£217.00	£260.40	£274.00	£328.80
		609	139	13	858	2927	CORN4C506013HL	£279.00	£334.80	£336.00	£403.20
		834	139	18	1188	4053	CORN4C508318HL	£382.00	£458.40	£439.00	£526.80
	600	1014	139	22	1452	4954	CORN4C501022HL	£464.00	£556.80	£521.00	£625.20
		1194	139	26	1716	5855	CORN4C501126HL	£547.00	£656.40	£604.00	£724.80
		609	139	13	1027	3504	CORN4C606013HL	£283.00	£339.60	£340.00	£408.00
		834	139	18	1422	4852	CORN4C608318HL	£387.00	£464.40	£444.00	£532.80
Vertical 2 Column	1500	1014	139	22	1738	5930	CORN4C601022HL	£471.00	£565.20	£528.00	£633.60
		1194	139	26	2054	7008	CORN4C601126HL	£554.00	£664.80	£611.00	£733.20
		294	65	6	618	2109	CORN2C152906VL	£178.00	£213.60	£235.00	£282.00
	1800	384	65	8	824	2811	CORN2C153808VL	£234.00	£280.80	£291.00	£349.20
		474	65	10	1030	3514	CORN2C154710VL	£290.00	£348.00	£347.00	£416.40
		204	65	4	496	1692	CORN2C182004VL	£147.00	£176.40	£204.00	£244.80
Vertical 3 Column	1800	339	65	7	868	2962	CORN2C183307VL	£249.00	£298.80	£306.00	£367.20
		429	65	9	1116	3808	CORN2C184209VL	£317.00	£380.40	£374.00	£448.80
		519	65	11	1364	4654	CORN2C185111VL	£385.00	£462.00	£442.00	£530.40
		609	65	13	1612	5500	CORN2C186013VL	£453.00	£543.60	£510.00	£612.00
Vertical 3 Column	1800	339	101	7	1176	4013	CORN3C183307VL	£360.00	£432.00	£417.00	£500.40
		429	101	9	1512	5159	CORN3C184209VL	£460.00	£552.00	£517.00	£620.40
		519	101	11	1848	6305	CORN3C185111VL	£559.00	£670.80	£616.00	£739.20
		609	101	13	2184	7452	CORN3C186013VL	£659.00	£790.80	£716.00	£859.20

Widths include measurement for bushes. **Valves Prices include Chrome or White KINGSTON TRV's, please specify colour and angled or straight at time of order.

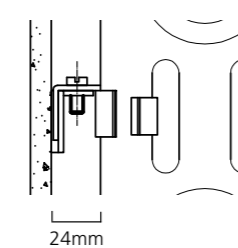


♦ CORNEL Bare Metal Lacquer Horizontal 3 Column, 600mm x 1014mm with Wall Brackets and Nickel KINGSTON TRV's.

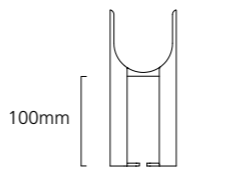
Optional Slip on Feet

Description	Product Code	Lacquer Ex VAT	Lacquer Inc VAT
Slip On Feet 2 Column	CORNSOF02L	£45.00	£54.00
Slip On Feet 3 Column	CORNSOF03L	£48.00	£57.60
Slip On Feet 4 Column	CORNSOF04L	£50.00	£60.00

Standard Wall Brackets



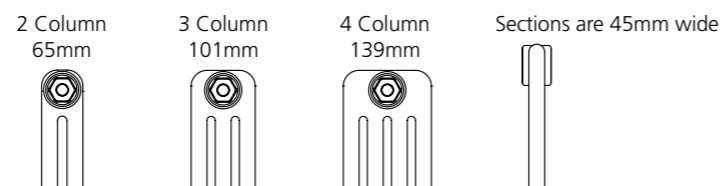
Optional Slip on Feet



Please Note: 2 Feet per radiator up to 18 sections, 22 & 26 Section radiators require 3 feet.

Pipe Centres and Technical Drawings

Pipe centres left to right =	Width of radiator plus valves
Pipe centres from wall =	2 column = 56mm
	3 column = 74mm
	4 column = 93mm



Black weld lines and manufacturing marks create industrial chic.



Optional Slip on Feet with Kingston TRV's.

+Valves Prices include Chrome or White KINGSTON TRV's in angled or straight.



Please specify at time of order

FARADAY® Type 11 (K1)

- Italian manufactured and certified to EN442
- +Valves prices include Chrome or White KINGSTON TRV's*
- Single Flat Panel; single convector in 3 heights & up to 12 widths
- Extra durable White RAL 9016 paint finish; withstands external corrosion for twice as long as standard finishes
- Standard White RAL 9016 delivered in 48-72 hours
- 25 RAL colours, 5 special finishes, up to 15 working days (pages 74-75)

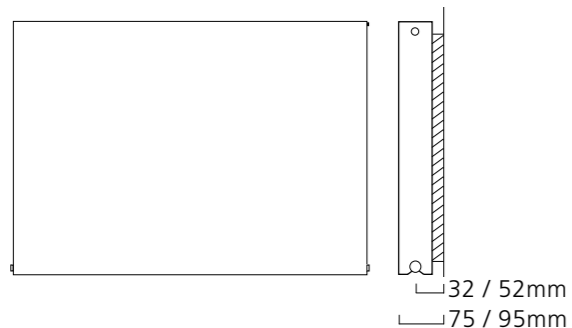


Sizes and Prices

Dimensions (mm)			Output Δt 50°C		Product Code	White Ex VAT	White Inc VAT	Colour Ex VAT	Colour Inc VAT	White +Valves Ex VAT	White +Valves Inc VAT	Colour +Valves Ex VAT	Colour +Valves Inc VAT
Height	Width	Depth	Watts	Btu's									
400	600	70	380	1297	FARA406011	£59.00	£70.80	£155.00	£186.00	£116.00	£139.20	£212.00	£254.40
	800	70	506	1726	FARA408011	£70.00	£84.00	£191.00	£229.20	£127.00	£152.40	£248.00	£297.60
	1000	70	633	2160	FARA401011	£87.00	£104.40	£220.00	£264.00	£144.00	£172.80	£277.00	£332.40
	1200	70	760	2593	FARA401211	£101.00	£121.20	£249.00	£298.80	£158.00	£189.60	£306.00	£367.20
	1400	70	886	3023	FARA401411	£118.00	£141.60	£291.00	£349.20	£175.00	£210.00	£348.00	£417.60
	1600	70	1013	3456	FARA401611	£136.00	£163.20	£325.00	£390.00	£193.00	£231.60	£382.00	£458.40
	1800	70	1139	3886	FARA401811	£150.00	£180.00	£365.00	£438.00	£207.00	£248.40	£422.00	£506.40
	2000	70	1265	4316	FARA402011	£187.00	£224.40	£418.00	£501.60	£244.00	£292.80	£475.00	£570.00
500	400	70	301	1027	FARA504011	£60.00	£72.00	£161.00	£193.20	£117.00	£140.40	£218.00	£261.60
	600	70	452	1542	FARA506011	£66.00	£79.20	£178.00	£213.60	£123.00	£147.60	£235.00	£282.00
	800	70	602	2054	FARA508011	£76.00	£91.20	£205.00	£246.00	£133.00	£159.60	£262.00	£314.40
	1000	70	752	2566	FARA501011	£97.00	£116.40	£243.00	£291.60	£154.00	£184.80	£300.00	£360.00
	1200	70	903	3081	FARA501211	£112.00	£134.40	£286.00	£343.20	£169.00	£202.80	£343.00	£411.60
	1400	70	1053	3593	FARA501411	£131.00	£157.20	£335.00	£402.00	£188.00	£225.60	£392.00	£470.40
	1600	70	1204	4108	FARA501611	£145.00	£174.00	£371.00	£445.20	£202.00	£242.40	£428.00	£513.60
	1800	70	1355	4623	FARA501811	£163.00	£195.60	£416.00	£499.20	£220.00	£264.00	£473.00	£567.60
2000	70	1505	5135	FARA502011	£183.00	£219.60	£468.00	£561.60	£240.00	£288.00	£525.00	£630.00	
600	400	70	347	1184	FARA604011	£72.00	£86.40	£193.00	£231.60	£129.00	£154.80	£250.00	£300.00
	600	70	522	1781	FARA606011	£76.00	£91.20	£204.00	£244.80	£133.00	£159.60	£261.00	£313.20
	700	70	608	2074	FARA607011	£88.00	£105.60	£229.00	£274.80	£145.00	£174.00	£286.00	£343.20
	800	70	696	2375	FARA608011	£101.00	£121.20	£249.00	£298.80	£158.00	£189.60	£306.00	£367.20
	900	70	782	2668	FARA609011	£114.00	£136.80	£276.00	£331.20	£171.00	£205.20	£333.00	£399.60
	1000	70	869	2965	FARA601011	£127.00	£152.40	£296.00	£355.20	£184.00	£220.80	£353.00	£423.60
	1100	70	957	3265	FARA601111	£139.00	£166.80	£324.00	£388.80	£196.00	£235.20	£381.00	£457.20
	1200	70	1043	3559	FARA601211	£152.00	£182.40	£342.00	£410.40	£209.00	£250.80	£399.00	£478.80
	1400	70	1217	4152	FARA601411	£177.00	£212.40	£415.00	£498.00	£234.00	£280.80	£472.00	£566.40
	1600	70	1391	4746	FARA601611	£203.00	£243.60	£467.00	£560.40	£260.00	£312.00	£524.00	£628.80
	1800	70	1565	5340	FARA601811	£229.00	£274.80	£515.00	£618.00	£286.00	£343.20	£572.00	£686.40
	2000	70	1739	5933	FARA602011	£255.00	£306.00	£577.00	£692.40	£312.00	£374.40	£634.00	£760.80

*+Valves Prices include Chrome or White KINGSTON TRV's, please specify colour and angled or straight at time of order.

Pipe Centres and Technical Drawings



Type 11 (K1) Profile

Single steel panel with a single convector.



Pipe centres left to right = Width plus valves
 Pipe centres from wall = 32mm / 52mm
 Depth from wall = 75mm / 95mm

© FARADAY is a registered trademark of IRSAP UK Limited



♦ FARADAY® Type 11 (K1) Horizontal 500mm x 1000mm in White RAL 9016 shown with WELLINGTON TRV's and White Radnaps.



FARADAY TYPE 22 (K2) in RAL 1001.



Also available in Type 21 (P+) Vertical (p.18-19).

+Valves Prices include Chrome or White KINGSTON TRV's in angled or straight.



Please specify at time of order

FARADAY® Type 22 (K2)

- Italian manufactured and certified to EN442
- +Valves prices include Chrome or White KINGSTON TRV's*
- Double Flat Panels; double convectors in 4 heights & up to 12 widths
- Extra durable White RAL 9016 paint finish; withstands external corrosion for twice as long as standard finishes
- Standard White RAL 9016 delivered in 48-72 hours
- 25 RAL colours, 5 special finishes, up to 15 working days (pages 74-75)



♦FARADAY® Type 22 (K2) Horizontal 600mm x 1200mm in White RAL 9016 shown with WELLINGTON TRV's and White Radsnaps.

Sizes and Prices

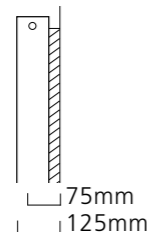
Dimensions (mm)			Output Δt 50°C		Product Code	White Ex VAT	White Inc VAT	Colour Ex VAT	Colour Inc VAT	White +Valves Ex VAT	White +Valves Inc VAT	Colour +Valves Ex VAT	Colour +Valves Inc VAT
Height	Width	Depth	Watts	Btu's									
300	800	102	702	2395	FARA308022	£131.00	£157.20	£323.00	£387.60	£188.00	£225.60	£380.00	£456.00
	1000	102	878	2996	FARA301022	£160.00	£192.00	£336.00	£403.20	£217.00	£260.40	£393.00	£471.60
	1200	102	1053	3593	FARA301222	£192.00	£230.40	£379.00	£454.80	£249.00	£298.80	£436.00	£523.20
	1400	102	1229	4193	FARA301422	£224.00	£268.80	£423.00	£507.60	£281.00	£337.20	£480.00	£576.00
	1600	102	1404	4790	FARA301622	£256.00	£307.20	£472.00	£566.40	£313.00	£375.60	£529.00	£634.80
	1800	102	1580	5391	FARA301822	£284.00	£340.80	£526.00	£631.20	£341.00	£409.20	£583.00	£699.60
400	400	102	448	1529	FARA404022	£103.00	£123.60	£242.00	£290.40	£160.00	£192.00	£299.00	£358.80
	600	102	672	2293	FARA406022	£117.00	£140.40	£280.00	£336.00	£174.00	£208.80	£337.00	£404.40
	800	102	896	3057	FARA408022	£140.00	£168.00	£310.00	£372.00	£197.00	£236.40	£367.00	£440.40
	900	102	1009	3443	FARA409022	£155.00	£186.00	£344.00	£412.80	£212.00	£254.40	£401.00	£481.20
	1000	102	1121	3825	FARA401022	£173.00	£207.60	£348.00	£417.60	£230.00	£276.00	£405.00	£486.00
	1200	102	1345	4589	FARA401222	£205.00	£246.00	£380.00	£456.00	£262.00	£314.40	£437.00	£524.40
	1400	102	1569	5353	FARA401422	£232.00	£278.40	£458.00	£549.60	£289.00	£346.80	£515.00	£618.00
	1600	102	1793	6118	FARA401622	£265.00	£318.00	£506.00	£607.20	£322.00	£386.40	£563.00	£675.60
500	400	102	541	1846	FARA504022	£116.00	£139.20	£250.00	£300.00	£173.00	£207.60	£307.00	£368.40
	600	102	811	2767	FARA506022	£127.00	£152.40	£308.00	£369.60	£184.00	£220.80	£365.00	£438.00
	800	102	1082	3692	FARA508022	£157.00	£188.40	£350.00	£420.00	£214.00	£256.80	£407.00	£488.40
	1000	102	1352	4613	FARA501022	£196.00	£235.20	£386.00	£463.20	£253.00	£303.60	£443.00	£531.60
	1200	102	1622	5534	FARA501222	£230.00	£276.00	£460.00	£552.00	£287.00	£344.40	£517.00	£620.40
	1400	102	1893	6459	FARA501422	£265.00	£318.00	£547.00	£656.40	£322.00	£386.40	£604.00	£724.80
	1600	102	2163	7380	FARA501622	£303.00	£363.60	£607.00	£728.40	£360.00	£432.00	£664.00	£796.80
	1800	102	2434	8305	FARA501822	£342.00	£410.40	£686.00	£823.20	£399.00	£478.80	£743.00	£891.60
600	400	102	650	2218	FARA604022	£130.00	£156.00	£286.00	£343.20	£187.00	£224.40	£343.00	£411.60
	600	102	976	3330	FARA606022	£140.00	£168.00	£338.00	£405.60	£197.00	£236.40	£395.00	£474.00
	700	102	1138	3883	FARA607022	£163.00	£195.60	£366.00	£439.20	£220.00	£264.00	£423.00	£507.60
	800	102	1301	4439	FARA608022	£181.00	£217.20	£378.00	£453.60	£238.00	£285.60	£435.00	£522.00
	900	102	1463	4992	FARA609022	£204.00	£244.80	£416.00	£499.20	£261.00	£313.20	£473.00	£567.60
	1000	102	1625	5545	FARA601022	£227.00	£272.40	£440.00	£528.00	£284.00	£340.80	£497.00	£596.40
	1100	102	1788	6101	FARA601122	£249.00	£298.80	£491.00	£589.20	£306.00	£367.20	£548.00	£657.60
	1200	102	1950	6653	FARA601222	£272.00	£326.40	£521.00	£625.20	£329.00	£394.80	£578.00	£693.60
	1400	102	2275	7762	FARA601422	£317.00	£380.40	£661.00	£793.20	£374.00	£448.80	£718.00	£861.60
	1600	102	2601	8875	FARA601622	£355.00	£426.00	£717.00	£860.40	£412.00	£494.40	£774.00	£928.80
	1800	102	2926	9984	FARA601822	£392.00	£470.40	£803.00	£963.60	£449.00	£538.80	£860.00	£1,032.00
	2000	102	3251	11092	FARA602022	£443.00	£531.60	£892.00	£1,070.40	£500.00	£600.00	£949.00	£1,138.80

*+Valves Prices include Chrome or White KINGSTON TRV's, please specify colour and angled or straight at time of order.

Pipe Centres and Technical Drawings

Double steel panels (one front, one back) with double convectors.

Type 22 (K2) Profile



Pipe centres left to right = Width plus valves
 Pipe centres from wall = 75mm
 Depth from wall = 125mm

© FARADAY is a registered trademark of IRSAP UK Limited



Also available in Type 21 (P+) Vertical (p.18-19).



FARADAY Type 22 (K2) in RAL 3003.

+Valves Prices include Chrome or White KINGSTON TRV's in angled or straight.



Please specify at time of order

FARADAY® Type 21 (P+)

- Italian manufactured and certified to EN442
- +Valves prices include Chrome or White KINGSTON TRV's*
- Double Flat Panels; single convector in 1 height and 5 widths
- Extra durable White RAL 9016 paint finish; withstands external corrosion for twice as long as standard finishes
- Standard White RAL 9016 delivered in 48-72 hours
- 25 RAL colours, 5 special finishes, up to 15 working days (pages 74-75)



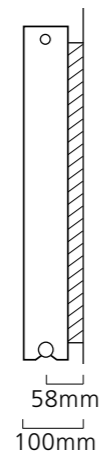
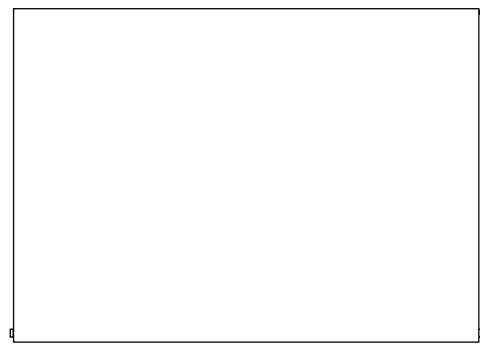
◆FARADAY® Type 21 (P+) 600 x 1000mm in White RAL 9016 shown with WELLINGTON TRV's & Chrome Pipe Covers & Shrouds.

Sizes and Prices

Dimensions (mm)			Output Δt 50°C		Product Code	White Ex VAT	White Inc VAT	Colour Ex VAT	Colour Inc VAT	White +Valves Ex VAT	White +Valves Inc VAT	Colour +Valves Ex VAT	Colour +Valves Inc VAT
Height	Width	Depth	Watts	Btu's									
600	600	75	729	2487	FARA606021	£137.00	£164.40	£306.00	£367.20	£194.00	£232.80	£363.00	£435.60
	800	75	972	3316	FARA608021	£175.00	£210.00	£340.00	£408.00	£232.00	£278.40	£397.00	£476.40
	1000	75	1215	4146	FARA601021	£211.00	£253.20	£397.00	£476.40	£268.00	£321.60	£454.00	£544.80
	1200	75	1458	4975	FARA601221	£238.00	£285.60	£470.00	£564.00	£295.00	£354.00	£527.00	£632.40
	1400	75	1701	5804	FARA601421	£285.00	£342.00	£592.00	£710.40	£342.00	£410.40	£649.00	£778.80

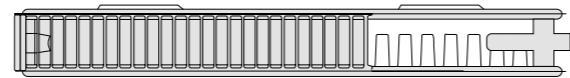
*+Valves Prices include Chrome or White KINGSTON TRV's, please specify colour and angled or straight at time of order.

Pipe Centres and Technical Drawings



Type 21 (P+) Profile

Double steel panels (one front, one back) with a single convector.



Pipe centres left to right	=	Width plus valves
Pipe centres from wall	=	58mm
Depth from wall	=	100mm

® FARADAY is a registered trademark of IRSAP UK Limited

NEW SPECIAL FINISHES (shown left to right)

Carbon, Gun Metal Grey, Mottled Copper, Mottled Silver, Textured Matt Black, see pages 74-75 for more information.



Please note: Due to printing processes & manufacturing tolerances the colour of finished radiators may vary from the colours represented in this brochure.



New vertical sizes for Type 21 (P+) (p.18-19).



FARADAY Type 21 (P+) in RAL 7016.

+Valves Prices include Chrome or White KINGSTON TRV's in angled or straight.



Please specify at time of order

FARADAY® Type 21 (P+)

- Italian manufactured and certified to EN442
- +Valves prices include Chrome or White KINGSTON TRV's*
- Double Flat Panels; single convector in 2 heights and 2 widths
- Extra durable White RAL 9016 paint finish; withstands external corrosion for twice as long as standard finishes
- Standard White RAL 9016 delivered in 48-72 hours
- 25 RAL colours, 5 special finishes, up to 15 working days (pages 74-75)



Sizes and Prices

Dimensions (mm)			Output Δt 50°C		Product Code	White Ex VAT	White Inc VAT	Colour Ex VAT	Colour Inc VAT	White +Valves Ex VAT	White +Valves Inc VAT	Colour +Valves Ex VAT	Colour +Valves Inc VAT
Height	Width	Depth	Watts	Btu's									
1600	500	75	1666	5684	FARA165021	£435.00	£522.00	£742.00	£890.40	£492.00	£590.40	£799.00	£958.80
	600	75	1944	6633	FARA166021	£460.00	£552.00	£809.00	£970.80	£517.00	£620.40	£866.00	£1,039.20
1800	500	75	1875	6398	FARA185021	£492.00	£590.40	£838.00	£1,005.60	£549.00	£658.80	£895.00	£1,074.00
	600	75	2187	7462	FARA186021	£515.00	£618.00	£906.00	£1,087.20	£572.00	£686.40	£963.00	£1,155.60

*+Valves Prices include Chrome or White KINGSTON TRV's, please specify colour and angled or straight at time of order.

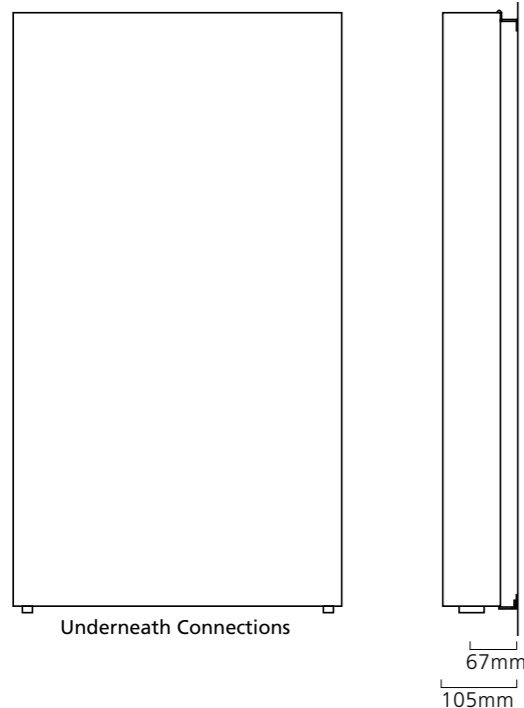
Optional Towel Bar

Please specify at time of order (note: must be fitted pre-installation)

Description	Product Code	White Ex VAT	White Inc VAT	Colour Ex VAT	Colour Inc VAT
Faraday Vertical Type 21 (P+) Towel Bar (for 500 Wide)	FARATBV2150	£138.00	£165.60	£205.00	£246.00
Faraday Vertical Type 21 (P+) Towel Bar (for 600 Wide)	FARATBV2160	£164.00	£196.80	£220.00	£264.00

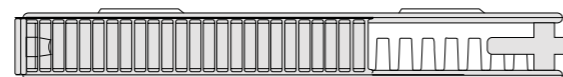


Pipe Centres and Technical Drawings



Type 21 (P+) Profile

Double steel panels (one front, one back) with a single convector.



Pipe centres left to right	=	Width minus 50mm
Pipe centres from wall	=	67mm
Depth from wall	=	105mm

© FARADAY is a registered trademark of IRSAP UK Limited

NEW SPECIAL FINISHES (shown left to right)
Carbon, Gun Metal Grey, Mottled Copper, Mottled Silver, Textured Matt Black, see pages 74-75 for more information.



Please note: Due to printing processes & manufacturing tolerances the colour of finished radiators may vary from the colours represented in this brochure.

+Valves Prices include Chrome or White KINGSTON TRV's in angled or straight.



Please specify at time of order



FARADAY® Type 21 (P+) Vertical with optional Towel Bars.



♦FARADAY® Type 21 (P+) Vertical 1800mm x 500mm in White RAL 9016 shown with DRAKE Valves.

WESSEX

- 4 Column cast iron radiator, certified to EN442
- +Valves prices include Chrome or Brass SHIRE TRV's*
- Available in 2 heights, 6 widths; supplied with footed end sections only
- Cream primer as standard, natural rough cast iron finish
- Optional RAL 9010 or RAL 7016 finishes from stock
- Optional Chrome cast iron wall tie and matching airvent



Sizes and Prices; all prices include Footed End sections as standard

Dimensions (mm)			Sections	Output Δt 50°C		Product Code	Primer Finish Ex VAT	Primer Finish Inc VAT	White & Grey Ex VAT	White & Grey Inc VAT	Primer Finish +Valves Ex VAT	Primer Finish +Valves Inc VAT	White & Grey +Valves Ex VAT	White & Grey +Valves Inc VAT
Height	Width	Depth		Watts	Btu's									
4 Column														
660	508	144	8	696	2375	NWESS4C655008	£224.00	£268.80	£369.00	£429.60	£309.00	£370.80	£454.00	£544.80
660	628	144	10	870	2968	NWESS4C656210	£272.00	£326.40	£448.00	£537.60	£357.00	£428.40	£533.00	£639.60
660	748	144	12	1044	3562	NWESS4C657412	£328.00	£393.60	£541.00	£649.20	£413.00	£495.60	£626.00	£751.20
760	448	144	7	707	2412	NWESS4C764407	£243.00	£291.60	£400.00	£480.00	£328.00	£393.60	£485.00	£582.00
760	568	144	9	909	3102	NWESS4C765609	£313.00	£375.60	£516.00	£619.20	£398.00	£477.60	£601.00	£721.20
760	688	144	11	1111	3791	NWESS4C766811	£383.00	£459.60	£631.00	£757.20	£468.00	£561.60	£716.00	£859.20

Please note widths include measurement for bushes which are 28mm in total.

*+Valves Prices include Chrome or Brass SHIRE TRV's, please specify colour and angled or straight at time of order.

Important Note: Traditional cast iron radiators will come in a cream primer please be aware that primer is not a finished surface. These radiators must then be finished with a paint suitable for radiators. When painting your radiators topcoats and undercoats must NEVER be WATER BASED or EMULSION. Be careful in selecting undercoats as some modern formulations are water based even though they are intended for use with oil based topcoats. Water based paint may create rust pockets that will develop and become unsightly.

Cast Iron Wall Ties



Steel Wall Tie



Chrome Wall Tie & Airvent

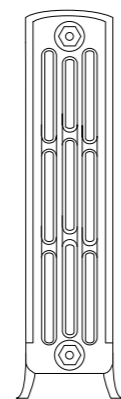
We recommend the following;

- 1 wall tie for 7 - 8 section radiators
- 2 wall ties for 9 - 12 section radiators.

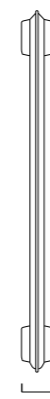
Description	Product Code	Price Ex VAT	Price Inc VAT
Cast Iron Wall Tie - Steel	WESSWT01	£4.50	£5.40
Cast Iron Wall Tie - Chrome	WESSWT02	£31.00	£37.20

Pipe Centres and Technical Drawings

4 column



footed end section



Sections are 60mm wide

Pipe centres left to right = Width of radiator plus valves
 Pipe centres from wall = 105mm - 120mm



◆WESSEX 4 Column, 660mm x 508mm with Footed End Section shown in RAL 7016 with Chrome SHIRE TRV's



KINGSTON TRV's from £72.00 (p.69).



WESSEX shown in RAL 9010.

+Valves Prices include Chrome or Brass SHIRE TRV's in angled or straight.



Please specify at time of order

SAXON Horizontal

- Italian design & manufacture, certified to EN442
- +Valves prices include Chrome or White KINGSTON TRV's*
- Aluminium Radiator in set sizes; 3 heights, 5 widths
- Combines low water content with high thermal efficiency
- Standard White RAL 9010 delivered in 48-72 hours
- 25 RAL colours, 5 special finishes, up to 15 working days (pages 74-75)



Sizes and Prices

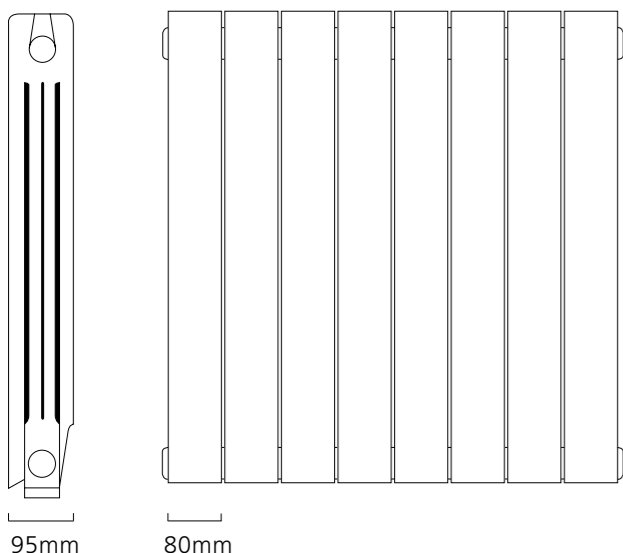
Dimensions (mm)			Sections	Output Δt 50°C		Product Code	White Ex VAT	White Inc VAT	Colour Ex VAT	Colour Inc VAT	White +Valves Ex VAT	White +Valves Inc VAT	Colour +Valves Ex VAT	Colour +Valves Inc VAT
Height	Width	Depth		Watts	Btu's									
440	420	95	5	470	1604	SAXO444205H	£126.00	£151.20	£195.00	£234.00	£183.00	£219.60	£252.00	£302.40
	660	95	8	752	2566	SAXO446608H	£172.00	£206.40	£283.00	£339.60	£229.00	£274.80	£340.00	£408.00
	820	95	10	940	3207	SAXO448210H	£213.00	£255.60	£354.00	£424.80	£270.00	£324.00	£411.00	£493.20
	980	95	12	1128	3849	SAXO449812H	£256.00	£307.20	£424.00	£508.80	£313.00	£375.60	£481.00	£577.20
	1140	95	14	1316	4490	SAXO441114H	£315.00	£378.00	£495.00	£594.00	£372.00	£446.40	£552.00	£662.40
590	420	95	5	615	2098	SAXO594205H	£129.00	£154.80	£201.00	£241.20	£186.00	£223.20	£258.00	£309.60
	660	95	8	984	3357	SAXO596608H	£173.00	£207.60	£288.00	£345.60	£230.00	£276.00	£345.00	£414.00
	820	95	10	1230	4197	SAXO598210H	£216.00	£259.20	£361.00	£433.20	£273.00	£327.60	£418.00	£501.60
	980	95	12	1476	5036	SAXO599812H	£258.00	£309.60	£433.00	£519.60	£315.00	£378.00	£490.00	£588.00
	1140	95	14	1722	5875	SAXO591114H	£324.00	£388.80	£505.00	£606.00	£381.00	£457.20	£562.00	£674.40
690	420	95	5	710	2423	SAXO694205H	£135.00	£162.00	£205.00	£246.00	£192.00	£230.40	£262.00	£314.40
	660	95	8	1136	3876	SAXO696608H	£181.00	£217.20	£299.00	£358.80	£238.00	£285.60	£356.00	£427.20
	820	95	10	1420	4845	SAXO698210H	£227.00	£272.40	£374.00	£448.80	£284.00	£340.80	£431.00	£517.20
	980	95	12	1704	5814	SAXO699812H	£273.00	£327.60	£448.00	£537.60	£330.00	£396.00	£505.00	£606.00
	1140	95	14	1988	6783	SAXO691114H	£338.00	£405.60	£523.00	£627.60	£395.00	£474.00	£580.00	£696.00

Please note widths include measurement for bushes.

*+Valves Prices include Chrome or White KINGSTON TRV's, please specify colour and angled or straight at time of order.

Pipe Centres and Technical Drawings

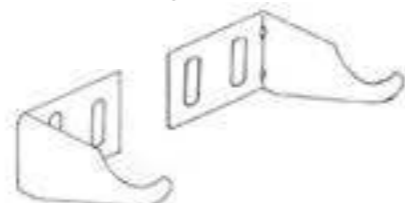
Side Profile Front Profile



Pipe centres left to right = Width of radiator plus valves
 Pipe centres from wall = 70mm
 Depth from wall = 120mm

Wall Brackets

Each SAXON radiator will be supplied with 2 x left hand and 2 x right hand Brackets.



For a larger range of aluminium please refer to The Radiator Company; www.radiatorcompany.co.uk where we have an extensive range of sizes.

NEW SPECIAL FINISHES (shown left to right)

Carbon, Gun Metal Grey, Mottled Copper, Mottled Silver, Textured Matt Black, see pages 74-75 for more information.



Please note: Due to printing processes & manufacturing tolerances the colour of finished radiators may vary from the colours represented in this brochure.



◆ SAXON Horizontal 690mm x 980mm shown special finish Gun Metal Grey with Nickel KINGSTON TRV's.



25 RAL colours & 5 special finishes (p.74-75) SAXON shown in Carbon.



SAXON Chrome Hanging Pegs (p.72).

+Valves Prices include Chrome or White KINGSTON TRV's in angled or straight.



Please specify at time of order

SAXON Vertical

- Italian design & manufacture, certified to EN442
- +Valves prices include Chrome or White KINGSTON TRV's*
- Aluminium Radiator in set sizes; 2 heights, 4 widths
- Combines low water content with high thermal efficiency
- Standard White RAL 9010 delivered in 48-72 hours
- 25 RAL colours, 5 special finishes, up to 15 working days (pages 74-75)



Sizes and Prices

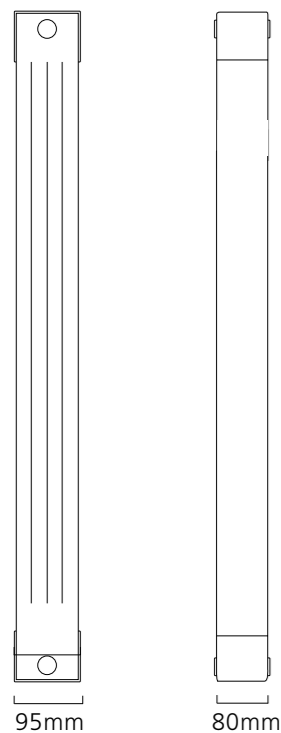
Dimensions (mm)			Sections	Output Δt 50°C		Product Code	White Ex VAT	White Inc VAT	Colour Ex VAT	Colour Inc VAT	White +Valves Ex VAT	White +Valves Inc VAT	Colour +Valves Ex VAT	Colour +Valves Inc VAT
Height	Width	Depth		Watts	Btu's									
1446	260	95	3	735	2508	SAXO142603V	£210.00	£252.00	£301.00	£361.20	£267.00	£320.40	£358.00	£429.60
	340	95	4	980	3344	SAXO143404V	£278.00	£333.60	£388.00	£465.60	£335.00	£402.00	£445.00	£534.00
	420	95	5	1225	4180	SAXO144205V	£348.00	£417.60	£485.00	£582.00	£405.00	£486.00	£542.00	£650.40
	500	95	6	1470	5016	SAXO145006V	£419.00	£502.80	£582.00	£698.40	£476.00	£571.20	£639.00	£766.80
1846	260	95	3	891	3040	SAXO182603V	£261.00	£313.20	£352.00	£422.40	£318.00	£381.60	£409.00	£490.80
	340	95	4	1188	4053	SAXO183404V	£344.00	£412.80	£470.00	£564.00	£401.00	£481.20	£527.00	£632.40
	420	95	5	1485	5067	SAXO184205V	£433.00	£519.60	£587.00	£704.40	£490.00	£588.00	£644.00	£772.80
	500	95	6	1782	6080	SAXO185006V	£518.00	£621.60	£705.00	£846.00	£575.00	£690.00	£762.00	£914.40

Please note widths include measurement for bushes.

*+Valves Prices include Chrome or White KINGSTON TRV's, please specify colour and angled or straight at time of order.

Pipe Centres and Technical Drawings

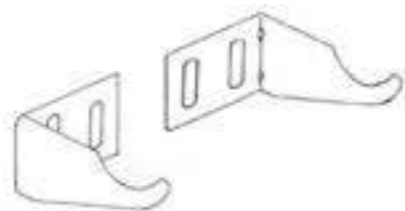
Side Profile Front Profile



Pipe centres left to right = Width of radiator plus valves
 Pipe centres from wall = 70mm
 Depth from wall = 120mm

Wall Brackets

Each SAXON radiator will be supplied with 2 x left hand and 2 x right hand Brackets.



For a larger range of aluminium please refer to The Radiator Company; www.theradiatorcompany.co.uk where we have an extensive range of sizes.

25 RAL colours & 5 special finishes available; delivery in up to 15 working days, see pages 74-75 for more information.



+Valves Prices include Chrome or White KINGSTON TRV's in angled or straight.

Please specify at time of order



25 RAL colours & 5 special finishes (p.74-75) SAXON shown in Carbon.



SAXON White Hanging Bar (p.72).



◆ SAXON Vertical 1846mm x 500mm in White RAL 9010 shown with WELLINGTON TRV's.

WOBURN Horizontal

- Italian design & manufacture, certified to EN442
- +Valves prices include Chrome or White KINGSTON TRV's*
- Aluminium Radiator in set sizes; 2 heights and 4 widths
- Combines low water content with high thermal efficiency
- Standard White RAL 9010 delivered in 48-72 hours
- 25 RAL colours, 5 special finishes, up to 15 working days (pages 74-75)



◆ WOBURN Horizontal 668mm x 620mm in White RAL 9010.

Sizes and Prices

Dimensions (mm)			Sections	Output Δt 50°C		Product Code	White Ex VAT	White Inc VAT	Colour Ex VAT	Colour Inc VAT	White +Valves Ex VAT	White +Valves Inc VAT	Colour +Valves Ex VAT	Colour +Valves Inc VAT
Height	Width	Depth		Watts	Btu's									
568	420	95	8	488	1665	WOBU564208H	£159.00	£190.80	£240.00	£288.00	£216.00	£259.20	£297.00	£356.40
	620	95	12	732	2498	WOBU566212H	£233.00	£279.60	£310.00	£372.00	£290.00	£348.00	£367.00	£440.40
	820	95	16	976	3330	WOBU568216H	£307.00	£368.40	£381.00	£457.20	£364.00	£436.80	£438.00	£525.60
	1020	95	20	1220	4163	WOBU561020H	£380.00	£456.00	£466.00	£559.20	£437.00	£524.40	£523.00	£627.60
668	420	95	8	552	1883	WOBU664208H	£162.00	£194.40	£244.00	£292.80	£219.00	£262.80	£301.00	£361.20
	620	95	12	828	2825	WOBU666212H	£238.00	£285.60	£316.00	£379.20	£295.00	£354.00	£373.00	£447.60
	820	95	16	1104	3767	WOBU668216H	£313.00	£375.60	£398.00	£477.60	£370.00	£444.00	£455.00	£546.00
	1020	95	20	1380	4709	WOBU661020H	£389.00	£466.80	£495.00	£594.00	£446.00	£535.20	£552.00	£662.40

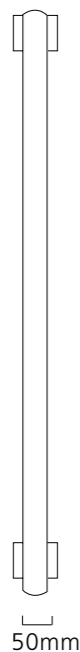
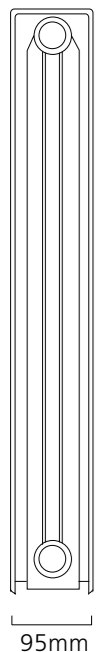
Please note widths include measurement for bushes.

**+Valves Prices include Chrome or White KINGSTON TRV's, please specify colour and angled or straight at time of order.

Pipe Centres and Technical Drawings

Side Profile

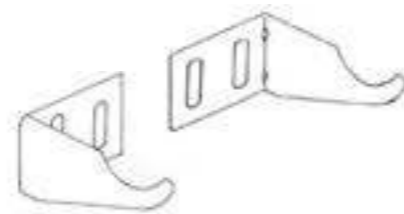
Front Profile



Pipe centres left to right = Width of radiator plus valves
 Pipe centres from wall = 70mm
 Depth from wall = 120mm

Wall Brackets

Each WOBURN radiator will be supplied with 2 x left hand and 2 x right hand Brackets.



NEW SPECIAL FINISHES (shown left to right)

Carbon, Gun Metal Grey, Mottled Copper, Mottled Silver, Textured Matt Black, see pages 74-75 for more information.



Please note: Due to printing processes & manufacturing tolerances the colour of finished radiators may vary from the colours represented in this brochure.



25 RAL colours & 5 special finishes (p.74-75) WOBURN shown in RAL 7035.



Also available in Vertical (p.28-29).

+Valves Prices include Chrome or White KINGSTON TRV's in angled or straight.



Please specify at time of order

WOBURN Vertical

- Italian design & manufacture, certified to EN442
- +Valves prices include Chrome or White KINGSTON TRV's*
- Aluminium Radiator in set sizes; 2 heights and 3 widths
- Combines low water content with high thermal efficiency
- Standard White RAL 9010 delivered in 48-72 hours
- 25 RAL colours, 5 special finishes, up to 15 working days (pages 74-75)



+Valves Prices include Chrome or White KINGSTON TRV's in angled or straight.

Please specify at time of order

Sizes and Prices

Dimensions (mm)			Sections	Output Δt 50°C		Product Code	White Ex VAT	White Inc VAT	Colour Ex VAT	Colour Inc VAT	White +Valves Ex VAT	White +Valves Inc VAT	Colour +Valves Ex VAT	Colour +Valves Inc VAT
Height	Width	Depth		Watts	Btu's									
1470	270	95	5	715	2440	WOBU142705V	£284.00	£340.80	£355.00	£426.00	£341.00	£409.20	£412.00	£494.40
	420	95	8	1144	3903	WOBU144208V	£445.00	£534.00	£531.00	£637.20	£502.00	£602.40	£588.00	£705.60
	520	95	10	1430	4879	WOBU145210V	£551.00	£661.20	£660.00	£792.00	£608.00	£729.60	£717.00	£860.40
1870	270	95	5	890	3037	WOBU182705V	£336.00	£403.20	£408.00	£489.60	£393.00	£471.60	£465.00	£558.00
	420	95	8	1424	4859	WOBU184208V	£528.00	£633.60	£640.00	£768.00	£585.00	£702.00	£697.00	£836.40
	520	95	10	1780	6073	WOBU185210V ♦	£656.00	£787.20	£795.00	£954.00	£713.00	£855.60	£852.00	£1,022.40

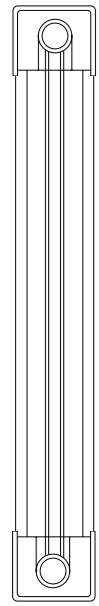
Please note widths include measurement for bushes.

*+Valves Prices include Chrome or White KINGSTON TRV's, please specify colour and angled or straight at time of order.

Pipe Centres and Technical Drawings

Side Profile

Front Profile



95mm

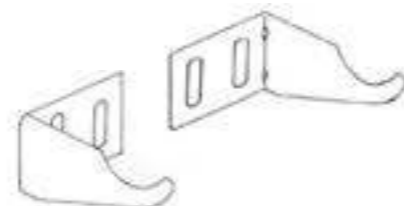


50mm

Pipe centres left to right = Width of radiator plus valves
 Pipe centres from wall = 70mm
 Depth from wall = 120mm

Wall Brackets

Each WOBURN radiator will be supplied with 2 x left hand and 2 x right hand Brackets.



25 RAL colours & 5 special finishes (p.74-75) WOBURN shown in RAL 1015.



♦ WOBURN Vertical 1870mm x 520mm in White RAL 9010 shown with WELLINGTON TRV's.

25 RAL colours & 5 special finishes available; delivery in up to 15 working days see pages 74-75 for more information



RADCLIFFE Horizontal

- Italian design & manufacture, certified to EN442
- +Valves prices include Chrome or White KINGSTON TRV's*
- Aluminium; with low water content and high thermal efficiency
- Textured Matt White and Grey RAL 9007 available in 48-72 hours
- Also available in 24 RAL colours & 5 special finishes (pages 74-75)
- 24 RAL's and 5 special finishes delivered in up to 15 working days

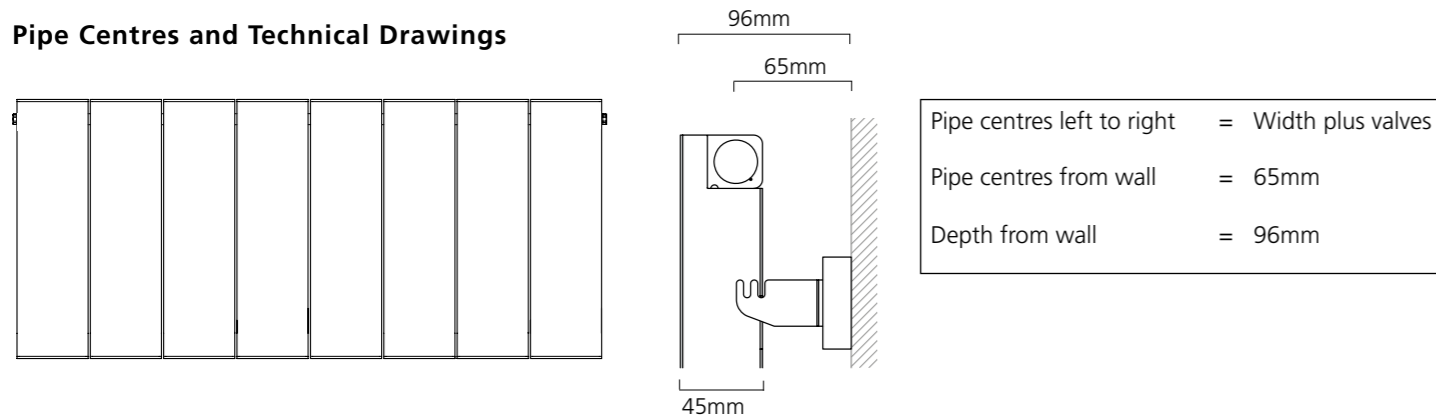


Sizes and Prices

Dimensions (mm)		Elements	Output Δt 50°C		Product Code	Price Ex VAT	Price Inc VAT	Price +Valves Ex VAT	Price +Valves Inc VAT
Height	Width		Watts	Btu's					
White - Horizontal									
500	956	8	877	2992	RADC509508HW	£384.00	£460.80	£441.00	£529.20
	1196	10	1097	3743	RADC501110HW	£480.00	£576.00	£537.00	£644.40
	1436	12	1316	4490	RADC501412HW	£575.00	£690.00	£632.00	£758.40
600	956	8	1007	3436	RADC609508HW	£417.00	£500.40	£474.00	£568.80
	1196	10	1259	4296	RADC601110HW	£521.00	£625.20	£578.00	£693.60
	1436	12	1510	5152	RADC601412HW	£627.00	£752.40	£684.00	£820.80
Grey - Horizontal									
500	956	8	877	2992	RADC509508HG	£443.00	£531.60	£500.00	£600.00
	1196	10	1097	3743	RADC501110HG	£552.00	£662.40	£609.00	£730.80
	1436	12	1316	4490	RADC501412HG	£662.00	£794.40	£719.00	£862.80
600	956	8	1007	3436	RADC609508HG	£479.00	£574.80	£536.00	£643.20
	1196	10	1259	4296	RADC601110HG	£599.00	£718.80	£656.00	£787.20
	1436	12	1510	5152	RADC601412HG	£721.00	£865.20	£778.00	£933.60
Colour - Horizontal									
500	956	8	877	2992	RADC509508HR	£527.00	£632.40	£584.00	£700.80
	1196	10	1097	3743	RADC501110HR	£653.00	£783.60	£710.00	£852.00
	1436	12	1316	4490	RADC501412HR	£785.00	£942.00	£842.00	£1,010.40
600	956	8	1007	3436	RADC609508HR ♦	£561.00	£673.20	£618.00	£741.60
	1196	10	1259	4296	RADC601110HR	£704.00	£844.80	£761.00	£913.20
	1436	12	1510	5152	RADC601412HR	£846.00	£1,015.20	£903.00	£1,083.60

*+Valves Prices include Chrome or White KINGSTON TRV's, please specify colour and angled or straight at time of order.

Pipe Centres and Technical Drawings



NEW SPECIAL FINISHES (shown left to right)
 Carbon, Gun Metal Grey, Mottled Copper, Mottled Silver, Textured Matt Black, see pages 74-75 for more information.

Please note: Due to printing processes & manufacturing tolerances the colour of finished radiators may vary from the colours represented in this brochure.



♦RADCLIFFE Horizontal 600mm x 956mm shown in RAL 7016 with KINGSTON TRV's.



Also available in Vertical (p.32-33).



Ultra slimline extruded aluminium profile with curved edge in Matt White.

+Valves Prices include Chrome or White KINGSTON TRV's in angled or straight.



Please specify at time of order

RADCLIFFE Vertical

- Italian design & manufacture, certified to EN442
- +Valves prices include Chrome or White KINGSTON TRV's*
- Aluminium; with low water content and high thermal efficiency
- Textured Matt White and Grey RAL 9007 available in 48-72 hours
- Also available in 24 RAL colours & 5 special finishes (pages 74-75)
- 24 RAL's and 5 special finishes delivered in up to 15 working days

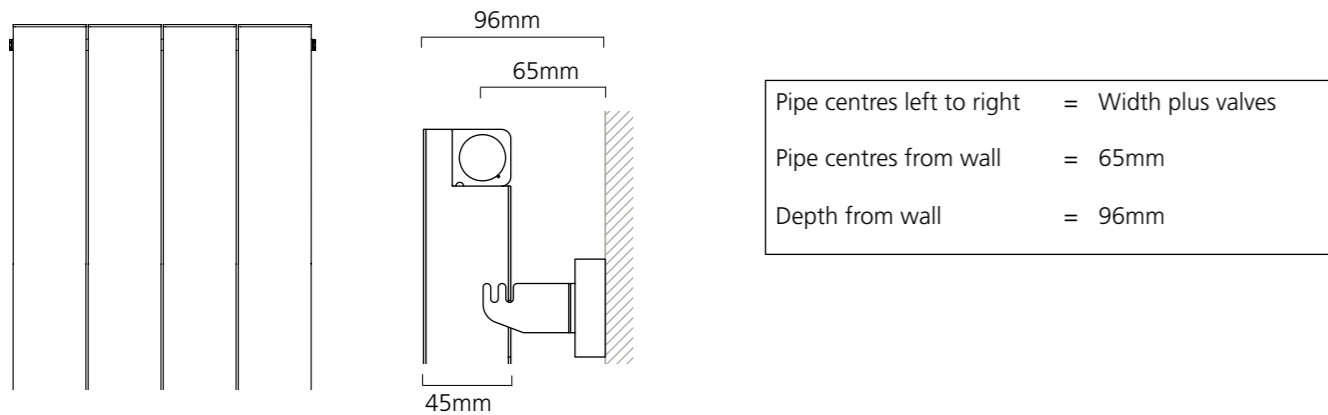


Sizes and Prices

Dimensions (mm)		Elements	Output Δt 50°C		Product Code	Price Ex VAT	Price Inc VAT	Price +Valves Ex VAT	Price +Valves Inc VAT
Height	Width		Watts	Btu's					
White - Vertical									
1500	356	3	784	2675	RADC153503VW	£308.00	£369.60	£365.00	£438.00
	476	4	1045	3566	RADC154704VW	£410.00	£492.00	£467.00	£560.40
	596	5	1306	4456	RADC155905VW	£514.00	£616.80	£571.00	£685.20
1800	356	3	911	3108	RADC183503VW	£319.00	£382.80	£376.00	£451.20
	476	4	1265	4316	RADC184704VW	£424.00	£508.80	£481.00	£577.20
	596	5	1527	5210	RADC185905VW	£530.00	£636.00	£587.00	£704.40
Grey - Vertical									
1500	356	3	784	2675	RADC153503VG	£354.00	£424.80	£411.00	£493.20
	476	4	1045	3566	RADC154704VG	£471.00	£565.20	£528.00	£633.60
	596	5	1306	4456	RADC155905VG	£588.00	£705.60	£645.00	£774.00
1800	356	3	911	3108	RADC183503VG	£368.00	£441.60	£425.00	£510.00
	476	4	1265	4316	RADC184704VG	£488.00	£585.60	£545.00	£654.00
	596	5	1527	5210	RADC185905VG	£609.00	£730.80	£666.00	£799.20
Colour - Vertical									
1500	356	3	784	2675	RADC153503VR	£426.00	£511.20	£483.00	£579.60
	476	4	1045	3566	RADC154704VR	£568.00	£681.60	£625.00	£750.00
	596	5	1306	4456	RADC155905VR	£709.00	£850.80	£766.00	£919.20
1800	356	3	911	3108	RADC183503VR	£461.00	£553.20	£518.00	£621.60
	476	4	1265	4316	RADC184704VR	£615.00	£738.00	£672.00	£806.40
	596	5	1527	5210	RADC185905VR	£767.00	£920.40	£824.00	£988.80

*+Valves Prices include Chrome or White KINGSTON TRV's, please specify colour and angled or straight at time of order.

Pipe Centres and Technical Drawings



25 RAL colours & 5 special finishes available; delivery in up to 15 working days see pages 74-75 for more information



+Valves Prices include Chrome or White KINGSTON TRV's in angled or straight.

Please specify at time of order



Ultra slimline extruded aluminium profile, shown in RAL 9005.



Also available in Horizontal (p.30-31).



♦ RADCLIFFE Vertical Textured Matt White 1800mm x 356mm.

HADLOW Horizontal

- Manufactured and certified to EN442
- +Valves prices include Chrome or White KINGSTON TRV's*
- Extruded Aluminium Radiator available in 2 heights and 3 widths
- Standard White RAL 9016 delivered in 48-72 hours
- 25 RAL colours, 5 special finishes, up to 15 working days (pages 74-75)
- Supplied with 4 Wall Brackets and 1 Manual Airvent

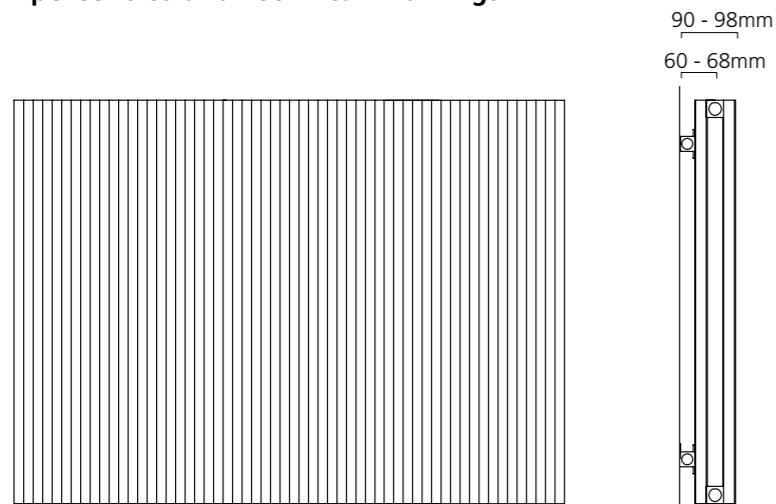


Sizes and Prices

Dimensions (mm)		Elements	Output Δt 50°C		Product Code	White Ex VAT	White Inc VAT	Colour Ex VAT	Colour Inc VAT	White +Valves Ex VAT	White +Valves Inc VAT	Colour +Valves Ex VAT	Colour +Valves Inc VAT
Height	Width		Watts	Btu's									
526	880	11	866	2955	HADL528811H	£459.00	£550.80	£619.00	£742.80	£516.00	£619.20	£676.00	£811.20
	1120	14	1103	3763	HADL521114H ♦	£584.00	£700.80	£748.00	£897.60	£641.00	£769.20	£805.00	£966.00
	1360	17	1339	4569	HADL521317H	£710.00	£852.00	£876.00	£1,051.20	£767.00	£920.40	£933.00	£1,119.60
626	880	11	987	3368	HADL628811H	£474.00	£568.80	£647.00	£776.40	£531.00	£637.20	£704.00	£844.80
	1120	14	1257	4289	HADL621114H	£604.00	£724.80	£779.00	£934.80	£661.00	£793.20	£836.00	£1,003.20
	1360	17	1526	5207	HADL621317H	£733.00	£879.60	£911.00	£1,093.20	£790.00	£948.00	£968.00	£1,161.60

*+Valves Prices include Chrome or White KINGSTON TRV's, please specify colour and angled or straight at time of order.

Pipe Centres and Technical Drawings



Pipe centres left to right = Width plus valves
 Pipe centres from wall = 60mm - 68mm
 Depth from wall = 90mm - 98mm

NEW SPECIAL FINISHES (shown left to right)
 Carbon, Gun Metal Grey, Mottled Copper, Mottled Silver,
 Textured Matt Black, see pages 74-75 for more information.



Please note: Due to printing processes & manufacturing tolerances the colour of finished radiators may vary from the colours represented in this brochure.



♦ HADLOW Horizontal 526mm x 1120mm shown in RAL 9016 with KINGSTON TRV's.



25 RAL colours & 5 special finishes (p.74-75) HADLOW shown in RAL 9005.



Also available in Vertical (p.36-37).

+Valves Prices include Chrome or White KINGSTON TRV's in angled or straight.



Please specify at time of order

HADLOW Vertical

- Manufactured and certified to EN442
- +Valves prices include Chrome or White KINGSTON TRV's*
- Extruded Aluminium Radiator available in 2 heights and 3 widths
- Standard White RAL 9016 delivered in 48-72 hours
- 25 RAL colours, 5 special finishes, up to 15 working days (pages 74-75)
- Supplied with 4 Wall Brackets and 1 Manual Airvent

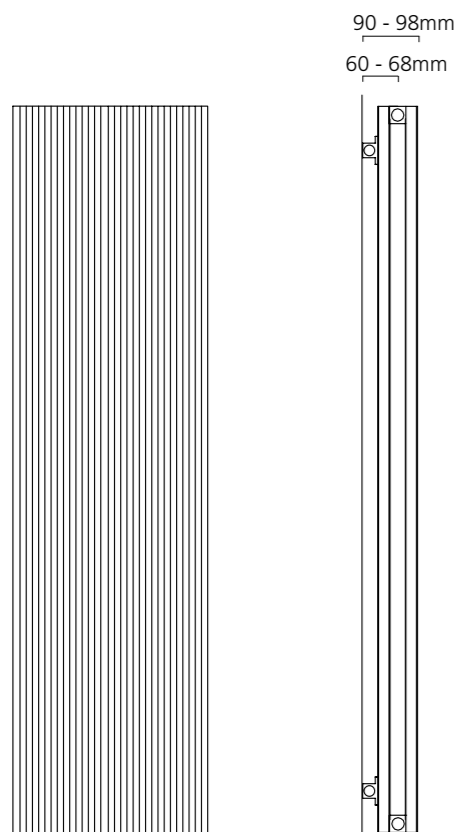


Sizes and Prices

Dimensions (mm)		Elements	Output Δt 50°C		Product Code	White Ex VAT	White Inc VAT	Colour Ex VAT	Colour Inc VAT	White +Valves Ex VAT	White +Valves Inc VAT	Colour +Valves Ex VAT	Colour +Valves Inc VAT
Height	Width		Watts	Btu's									
1526	400	5	879	2999	HADL154005V	£329.00	£394.80	£422.00	£506.40	£386.00	£463.20	£479.00	£574.80
	480	6	1055	3600	HADL154806V	£394.00	£472.80	£506.00	£607.20	£451.00	£541.20	£563.00	£675.60
	560	7	1231	4200	HADL155607V	£460.00	£552.00	£590.00	£708.00	£517.00	£620.40	£647.00	£776.40
1826	400	5	1008	3439	HADL184005V	£355.00	£426.00	£497.00	£596.40	£412.00	£494.40	£554.00	£664.80
	480	6	1209	4125	HADL184806V ♦	£426.00	£511.20	£571.00	£685.20	£483.00	£579.60	£628.00	£753.60
	560	7	1411	4814	HADL185607V	£497.00	£596.40	£645.00	£774.00	£554.00	£664.80	£702.00	£842.40

*+Valves Prices include Chrome or White KINGSTON TRV's, please specify colour and angled or straight at time of order.

Pipe Centres and Technical Drawings



Pipe centres left to right = Width plus valves
 Pipe centres from wall = 60mm - 68mm
 Depth from wall = 90mm - 98mm

25 RAL colours & 5 special finishes available; delivery in up to 15 working days see pages 74-75 for more information



+Valves Prices include Chrome or White KINGSTON TRV's in angled or straight.

Please specify at time of order



25 RAL colours & 5 special finishes (p.74-75) HADLOW shown in RAL 9005.



HADLOW Vertical in RAL 9016



♦HADLOW Vertical 1826mm x 480mm shown in White RAL 9016 with KINGSTON TRV's.

TALLIS Horizontal

- Italian design & manufacture, certified to EN442
- +Valves prices include Chrome or White KINGSTON TRV's*
- 50mm x 25mm Oval Tube Steel Radiator
- Available in Single & Double in 2 heights and 2 widths
- Standard White RAL 9016 delivered in 48-72 hours
- 25 RAL colours, 5 special finishes, up to 15 working days (pages 74-75)



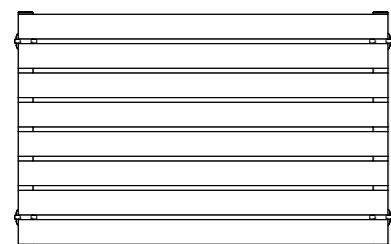
◆ TALLIS Single Horizontal in special finish Carbon, 600mm x 1020mm shown with KINGSTON TRV's.

Sizes and Prices

Dimensions (mm)		Elements	Output Δt 50°C		Product Code	White Ex VAT	White Inc VAT	Colour Ex VAT	Colour Inc VAT	White +Valves Ex VAT	White +Valves Inc VAT	Colour +Valves Ex VAT	Colour +Valves Inc VAT
Height	Width		Watts	Btu's									
Horizontal - Single													
420	1020	7	481	1641	TALL421007SH	£195.00	£234.00	£303.00	£363.60	£252.00	£302.40	£360.00	£432.00
420	1220	7	576	1965	TALL421207SH	£201.00	£241.20	£311.00	£373.20	£258.00	£309.60	£368.00	£441.60
420	1520	7	717	2446	TALL421507SH	£225.00	£270.00	£339.00	£406.80	£282.00	£338.40	£396.00	£475.20
480	1020	8	549	1873	TALL481008SH	£215.00	£258.00	£337.00	£404.40	£272.00	£326.40	£394.00	£472.80
480	1220	8	634	2163	TALL481208SH	£217.00	£260.40	£356.00	£427.20	£274.00	£328.80	£413.00	£495.60
480	1520	8	818	2791	TALL481508SH	£258.00	£309.60	£387.00	£464.40	£315.00	£378.00	£444.00	£532.80
600	1020	10	673	2296	TALL601010SH ◆	£251.00	£301.20	£403.00	£483.60	£308.00	£369.60	£460.00	£552.00
600	1220	10	793	2706	TALL601210SH	£270.00	£324.00	£443.00	£531.60	£327.00	£392.40	£500.00	£600.00
600	1520	10	1023	3490	TALL601510SH	£322.00	£386.40	£484.00	£580.80	£379.00	£454.80	£541.00	£649.20
Horizontal - Double													
420	1020	14	748	2552	TALL421014DH	£298.00	£357.60	£421.00	£505.20	£355.00	£426.00	£478.00	£573.60
420	1220	14	895	3054	TALL421214DH	£324.00	£388.80	£451.00	£541.20	£381.00	£457.20	£508.00	£609.60
420	1520	14	1115	3804	TALL421514DH	£371.00	£445.20	£491.00	£589.20	£428.00	£513.60	£548.00	£657.60
480	1020	16	855	2917	TALL481016DH	£341.00	£409.20	£470.00	£564.00	£398.00	£477.60	£527.00	£632.40
480	1220	16	1006	3432	TALL481216DH	£348.00	£417.60	£516.00	£619.20	£405.00	£486.00	£573.00	£687.60
480	1520	16	1274	4347	TALL481516DH	£424.00	£508.80	£561.00	£673.20	£481.00	£577.20	£618.00	£741.60
600	1020	20	1048	3576	TALL601020DH	£398.00	£477.60	£577.00	£692.40	£455.00	£546.00	£634.00	£760.80
600	1220	20	1257	4289	TALL601220DH	£420.00	£504.00	£626.00	£751.20	£477.00	£572.40	£683.00	£819.60
600	1520	20	1593	5435	TALL601520DH	£505.00	£606.00	£676.00	£811.20	£562.00	£674.40	£733.00	£879.60

*+Valves Prices include Chrome or White KINGSTON TRV's, please specify colour and angled or straight at time of order.

Pipe Centres and Technical Drawings

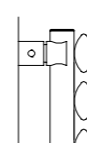


Single Horizontal
 Pipe centres left to right = Width less 30mm
 Pipe centres from wall = 55mm - 65mm
 Depth from wall = 95mm - 105mm

Double Horizontal
 Pipe centres left to right = Width less 30mm
 Pipe centres from wall = 80mm - 90mm
 Depth from wall = 120mm - 130mm

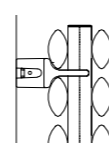
Single

95-105mm
55-65mm



Double

120 -130mm
80-90mm



NEW SPECIAL FINISHES (shown left to right)

Carbon, Gun Metal Grey, Mottled Copper, Mottled Silver, Textured Matt Black, see pages 74-75 for more information.



Please note: Due to printing processes & manufacturing tolerances the colour of finished radiators may vary from the colours represented in this brochure.



Single Horizontal in special finish Carbon.



Also available in Vertical (p.40-41).

+Valves Prices include Chrome or White KINGSTON TRV's in angled or straight.



Please specify at time of order

TALLIS Vertical

- Italian design & manufacture, certified to EN442
- +Valves prices include Chrome or White KINGSTON TRV's*
- 50mm x 25mm Oval Tube Steel Radiator
- Available in Single & Double in 1 heights and 3 widths
- Standard White RAL 9016 delivered in 48-72 hours
- 25 RAL colours, 5 special finishes, up to 15 working days (pages 74-75)

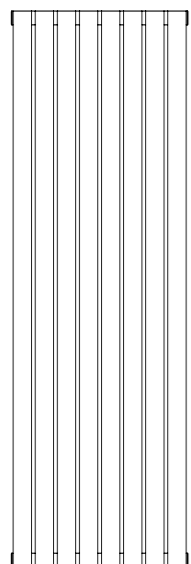


Sizes and Prices

Dimensions (mm)		Elements	Output Δt 50°C		Product Code	White Ex VAT	White Inc VAT	Colour Ex VAT	Colour Inc VAT	White +Valves Ex VAT	White +Valves Inc VAT	Colour +Valves Ex VAT	Colour +Valves Inc VAT
Height	Width		Watts	Btu's									
Vertical - Single													
1820	300	5	621	2119	TALL183005SV	£176.00	£211.20	£294.00	£352.80	£233.00	£279.60	£351.00	£421.20
	420	7	872	2975	TALL184207SV	£213.00	£255.60	£365.00	£438.00	£270.00	£324.00	£422.00	£506.40
	480	8	994	3392	TALL184808SV	£241.00	£289.20	£418.00	£501.60	£298.00	£357.60	£475.00	£570.00
	600	10	1242	4238	TALL186010SV	£301.00	£361.20	£526.00	£631.20	£358.00	£429.60	£583.00	£699.60
Vertical - Double													
1820	300	10	940	3207	TALL183010DV	£286.00	£343.20	£422.00	£506.40	£343.00	£411.60	£479.00	£574.80
	420	14	1331	4541	TALL184214DV	£357.00	£428.40	£530.00	£636.00	£414.00	£496.80	£587.00	£704.40
	480	16	1504	5132	TALL184816DV	£400.00	£480.00	£606.00	£727.20	£457.00	£548.40	£663.00	£795.60
	600	20	1880	6415	TALL186020DV	£474.00	£568.80	£725.00	£870.00	£531.00	£637.20	£782.00	£938.40

**Valves Prices include Chrome or White KINGSTON TRV's, please specify colour and angled or straight at time of order.

Pipe Centres and Technical Drawings



Single Vertical

Pipe centres left to right = Width plus valves
 Pipe centres from wall = 55mm - 65mm
 Depth from wall = 95mm - 105mm

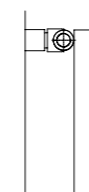
Double Vertical

Pipe centres left to right = Width plus valves
 Pipe centres from wall = 80mm - 90mm
 Depth from wall = 120mm - 130mm

Single

95 - 105mm

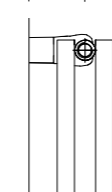
55 - 65mm



Double

120 - 130mm

80 - 90mm



TALLIS Ladder Rail in RAL 9016 (p.50-51).



♦ TALLIS Double Vertical RAL 9005 1820mm x 480mm shown with KINGSTON TRV's.

25 RAL colours & 5 special finishes available; delivery in up to 15 working days see pages 74-75 for more information



CHAUCER Horizontal

- Italian design & manufacture, certified to EN442
- +Valves prices include Chrome or White KINGSTON TRV's*
- 23mm Round Tube Steel Radiator available in 2 heights & 3 widths
- Available in Single & Double options in Horizontal & Vertical
- Standard White RAL 9016 delivered in 48-72 hours
- 25 RAL colours, 5 special finishes, up to 15 working days (pages 74-75)



Sizes and Prices

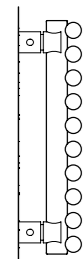
Dimensions (mm)		Elements	Output Δt 50°C		Product Code	White Ex VAT	White Inc VAT	Colour Ex VAT	Colour Inc VAT	White +Valves Ex VAT	White +Valves Inc VAT	Colour +Valves Ex VAT	Colour +Valves Inc VAT
Height	Width		Watts	Btu's									
Horizontal - Single													
402	920	12	515	1757	CHAU409212SH	£157.00	£188.40	£262.00	£314.40	£214.00	£256.80	£319.00	£382.80
402	1220	12	683	2330	CHAU401212SH	£184.00	£220.80	£293.00	£351.60	£241.00	£289.20	£350.00	£420.00
402	1520	12	851	2904	CHAU401512SH	£215.00	£258.00	£328.00	£393.60	£272.00	£326.40	£385.00	£462.00
538	920	16	681	2324	CHAU539216SH	£196.00	£235.20	£310.00	£372.00	£253.00	£303.60	£367.00	£440.40
538	1220	16	903	3081	CHAU531216SH	£229.00	£274.80	£364.00	£436.80	£286.00	£343.20	£421.00	£505.20
538	1520	16	1124	3835	CHAU531516SH	£251.00	£301.20	£405.00	£486.00	£308.00	£369.60	£462.00	£554.40
Horizontal - Double													
402	920	24	782	2668	CHAU409224DH	£261.00	£313.20	£381.00	£457.20	£318.00	£381.60	£438.00	£525.60
402	1220	24	1037	3538	CHAU401224DH	£307.00	£368.40	£435.00	£522.00	£364.00	£436.80	£492.00	£590.40
402	1520	24	1292	4408	CHAU401524DH	£371.00	£445.20	£484.00	£580.80	£428.00	£513.60	£541.00	£649.20
538	920	32	955	3258	CHAU539232DH	£337.00	£404.40	£455.00	£546.00	£394.00	£472.80	£512.00	£614.40
538	1220	32	1266	4320	CHAU531232DH	£382.00	£458.40	£541.00	£649.20	£439.00	£526.80	£598.00	£717.60
538	1520	32	1577	5381	CHAU531532DH	£400.00	£480.00	£566.00	£679.20	£457.00	£548.40	£623.00	£747.60

*+Valves Prices include Chrome or White KINGSTON TRV's, please specify colour and angled or straight at time of order.

Pipe Centres and Technical Drawings

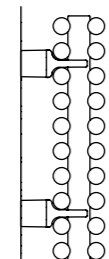
Single

90mm
55mm



Double

114-124mm
79-89mm



Single Horizontal
 Pipe centres left to right = Width less 50mm
 Pipe centres from wall = 55mm
 Depth from wall = 90mm

Double Horizontal
 Pipe centres left to right = Width less 50mm
 Pipe centres from wall = 79mm - 89mm
 Depth from wall = 114mm - 124mm

NEW SPECIAL FINISHES (shown left to right)

Carbon, Gun Metal Grey, Mottled Copper, Mottled Silver, Textured Matt Black, see pages 74-75 for more information.



Please note: Due to printing processes & manufacturing tolerances the colour of finished radiators may vary from the colours represented in this brochure.



◆ CHAUCER Single Horizontal 538mm x 920mm shown in White RAL 9016



Chaucer Double Horizontal in RAL 9007



Also available in Vertical (p.44-45).

+Valves Prices include Chrome or White KINGSTON TRV's in angled or straight.



Please specify at time of order

CHAUCER Vertical

- Italian design & manufacture, certified to EN442
- +Valves prices include Chrome or White KINGSTON TRV's*
- 23mm Round Tube Steel Radiator available in 1 height & 4 widths
- Available in Single & Double options in Horizontal & Vertical
- Standard White RAL 9016 delivered in 48-72 hours
- 25 RAL colours, 5 special finishes, up to 15 working days (pages 74-75)

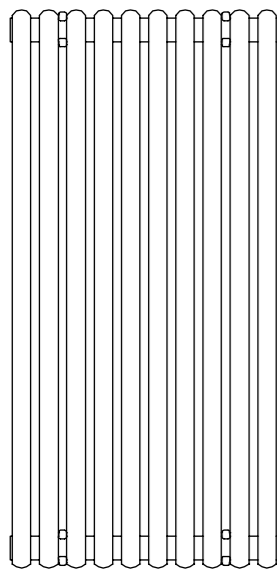


Sizes and Prices

Dimensions (mm)		Elements	Output Δt 50°C		Product Code	White Ex VAT	White Inc VAT	Colour Ex VAT	Colour Inc VAT	White +Valves Ex VAT	White +Valves Inc VAT	Colour +Valves Ex VAT	Colour +Valves Inc VAT
Height	Width		Watts	Btu's									
Vertical - Single													
1820	300	9	706	2409	CHAU183009SV	£218.00	£261.60	£335.00	£402.00	£275.00	£330.00	£392.00	£470.40
1820	402	12	941	3211	CHAU184012SV	£248.00	£297.60	£379.00	£454.80	£305.00	£366.00	£436.00	£523.20
1820	504	15	1176	4013	CHAU185015SV	£278.00	£333.60	£467.00	£560.40	£335.00	£402.00	£524.00	£628.80
1820	606	18	1411	4814	CHAU186018SV	£305.00	£366.00	£514.00	£616.80	£362.00	£434.40	£571.00	£685.20
Vertical - Double													
1820	300	18	1056	3603	CHAU183018DV	£350.00	£420.00	£478.00	£573.60	£407.00	£488.40	£535.00	£642.00
1820	402	24	1408	4804	CHAU184024DV ♦	£400.00	£480.00	£551.00	£661.20	£457.00	£548.40	£608.00	£729.60
1820	504	30	1760	6005	CHAU185030DV	£459.00	£550.80	£691.00	£829.20	£516.00	£619.20	£748.00	£897.60
1820	606	36	2111	7203	CHAU186036DV	£514.00	£616.80	£784.00	£940.80	£571.00	£685.20	£841.00	£1,009.20

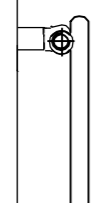
*+Valves Prices include Chrome or White KINGSTON TRV's, please specify colour and angled or straight at time of order.

Pipe Centres and Technical Drawings



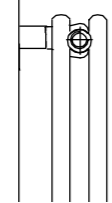
Single

90mm
55mm



Double

114-124mm
79-89mm



Single Vertical

Pipe centres left to right = Width plus valves
 Pipe centres from wall = 55mm
 Depth from wall = 90mm

Double Vertical

Pipe centres left to right = Width plus valves
 Pipe centres from wall = 79mm - 89mm
 Depth from wall = 114mm - 124mm

+Valves Prices include Chrome or White KINGSTON TRV's in angled or straight.

Please specify at time of order



Also available in Horizontal (p.42-43).



Also available in Single Vertical.



♦ CHAUCER Double Vertical RAL 7042, 1820mm x 402mm shown with KINGSTON TRV's.

25 RAL colours & 5 special finishes available; delivery in up to 15 working days see pages 74-75 for more information



BEAUFORT Horizontal

- Italian design & manufacture, certified to EN442
- +Valves prices include Chrome or White KINGSTON TRV's*
- 70mm Flat Tube Steel Radiator available in 3 heights & 2 widths
- Available in Single & Double options in Horizontal & Vertical
- Standard White RAL 9016 delivered in 48-72 hours
- 25 RAL colours, 5 special finishes, up to 15 working days (pages 74-75)



Sizes and Prices

Dimensions (mm)		Elements	Output Δt 50°C		Product Code	White Ex VAT	White Inc VAT	Colour Ex VAT	Colour Inc VAT	White +Valves Ex VAT	White +Valves Inc VAT	Colour +Valves Ex VAT	Colour +Valves Inc VAT
Height	Width		Watts	Btu's									
Horizontal - Single													
312	1020	4	340	1160	BEAUF311004SH	£173.00	£207.60	£273.00	£327.60	£230.00	£276.00	£330.00	£396.00
312	1220	4	392	1338	BEAUF311204SH	£184.00	£220.80	£286.00	£343.20	£241.00	£289.20	£343.00	£411.60
464	1020	6	501	1709	BEAUF461006SH	£208.00	£249.60	£314.00	£376.80	£265.00	£318.00	£371.00	£445.20
464	1220	6	600	2047	BEAUF461206SH	£226.00	£271.20	£343.00	£411.60	£283.00	£339.60	£400.00	£480.00
616	1020	8	659	2249	BEAUF611008SH	£251.00	£301.20	£382.00	£458.40	£308.00	£369.60	£439.00	£526.80
616	1220	8	789	2692	BEAUF611208SH	£274.00	£328.80	£428.00	£513.60	£331.00	£397.20	£485.00	£582.00
Horizontal - Double													
312	1020	8	567	1935	BEAUF311008DH	£282.00	£338.40	£421.00	£505.20	£339.00	£406.80	£478.00	£573.60
312	1220	8	671	2289	BEAUF311208DH	£321.00	£385.20	£444.00	£532.80	£378.00	£453.60	£501.00	£601.20
464	1020	12	793	2706	BEAUF461012DH	£367.00	£440.40	£496.00	£595.20	£424.00	£508.80	£553.00	£663.60
464	1220	12	948	3235	BEAUF461212DH	£403.00	£483.60	£540.00	£648.00	£460.00	£552.00	£597.00	£716.40
616	1020	16	1005	3429	BEAUF611016DH	£444.00	£532.80	£599.00	£718.80	£501.00	£601.20	£656.00	£787.20
616	1220	16	1202	4101	BEAUF611216DH	£484.00	£580.80	£667.00	£800.40	£541.00	£649.20	£724.00	£868.80

*+Valves Prices include Chrome or White KINGSTON TRV's, please specify colour and angled or straight at time of order.

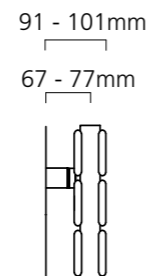
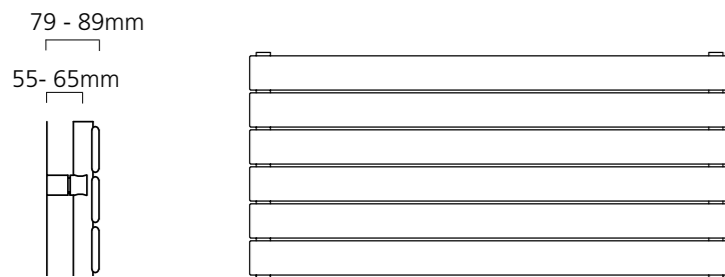
Pipe Centres and Technical Drawings

Single Horizontal

Single Horizontal
 Pipe centres left to right = Width less 58mm
 Pipe centres from wall = 55mm - 65mm
 Depth from wall = 79mm - 89mm

Double Horizontal

Double Horizontal
 Pipe centres left to right = Width less 58mm
 Pipe centres from wall = 67mm - 77mm
 Depth from wall = 91mm - 101mm



NEW SPECIAL FINISHES (shown left to right)
 Carbon, Gun Metal Grey, Mottled Copper, Mottled Silver,
 Textured Matt Black, see pages 74-75 for more information.



Please note: Due to printing processes & manufacturing tolerances the colour of finished radiators may vary from the colours represented in this brochure.



◆ BEAUFORT Single Horizontal 464mm x 1220mm shown in White RAL 9016



BEAUFORT in RAL 7040



Double Horizontal option available.

+Valves Prices include Chrome or White KINGSTON TRV's in angled or straight.



Please specify at time of order

BEAUFORT Vertical

- Italian design & manufacture, certified to EN442
- +Valves prices include Chrome or White KINGSTON TRV's*
- 70mm Flat Tube Steel Radiator available in 1 height & 4 widths
- Available in Single & Double options in Horizontal & Vertical
- Standard White RAL 9016 delivered in 48-72 hours
- 25 RAL colours, 5 special finishes, up to 15 working days (pages 74-75)



+Valves Prices include Chrome or White KINGSTON TRV's in angled or straight.

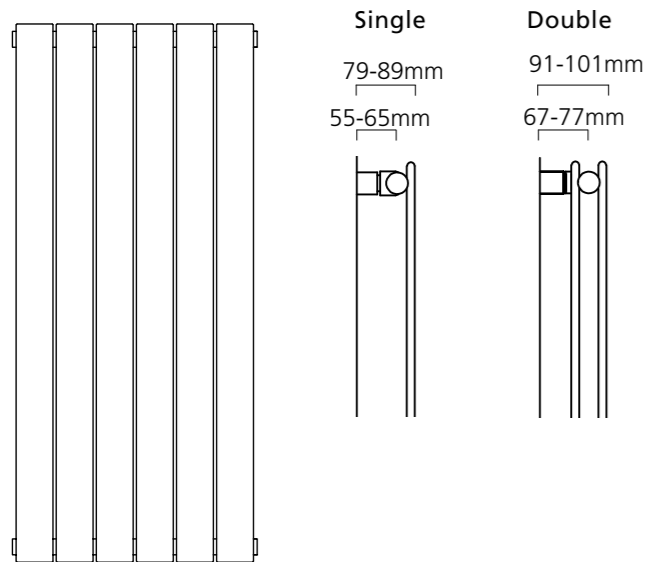
Please specify at time of order

Sizes and Prices

Dimensions (mm)		Elements	Output Δt 50°C		Product Code	White Ex VAT	White Inc VAT	Colour Ex VAT	Colour Inc VAT	White +Valves Ex VAT	White +Valves Inc VAT	Colour +Valves Ex VAT	Colour +Valves Inc VAT
Height	Width		Watts	Btu's									
Vertical - Single													
1820	312	4	609	2078	BEAUF183104SV	£212.00	£254.40	£329.00	£394.80	£269.00	£322.80	£386.00	£463.20
1820	464	6	914	3119	BEAUF184606SV	£281.00	£337.20	£451.00	£541.20	£338.00	£405.60	£508.00	£609.60
1820	540	7	1066	3637	BEAUF185407SV	£298.00	£357.60	£501.00	£601.20	£355.00	£426.00	£558.00	£669.60
1820	616	8	1219	4159	BEAUF186108SV	£351.00	£421.20	£568.00	£681.60	£408.00	£489.60	£625.00	£750.00
Vertical - Double													
1820	312	8	795	2713	BEAUF183108DV	£382.00	£458.40	£513.00	£615.60	£439.00	£526.80	£570.00	£684.00
1820	464	12	1192	4067	BEAUF184612DV	£503.00	£603.60	£696.00	£835.20	£560.00	£672.00	£753.00	£903.60
1820	540	14	1391	4746	BEAUF185414DV	£551.00	£661.20	£765.00	£918.00	£608.00	£729.60	£822.00	£986.40
1820	616	16	1590	5425	BEAUF186116DV	£621.00	£745.20	£868.00	£1,041.60	£678.00	£813.60	£925.00	£1,110.00

*+Valves Prices include Chrome or White KINGSTON TRV's, please specify colour and angled or straight at time of order.

Pipe Centres and Technical Drawings



Single Vertical
 Pipe centres left to right = Width plus valves
 Pipe centres from wall = 55mm - 65mm
 Depth from wall = 79mm - 89mm

Double Vertical
 Pipe centres left to right = Width plus valves
 Pipe centres from wall = 67mm - 77mm
 Depth from wall = 91mm - 101mm



Also available in Single & Double Horizontal (p.46-47).



Also available in Double Vertical.



◆ BEAUFORT Single Vertical RAL 9005, 1820mm x 464mm.

25 RAL colours & 5 special finishes available; delivery in up to 15 working days see pages 74-75 for more information



TALLIS Ladder Rail

- Italian design & manufacture, certified to EN442
- +Valves prices include Chrome DRAKE Valves*
- 50mm x 25mm Oval Tube Steel Towel Rail
- White RAL 9016 as standard delivered in 48-72 hours
- Optional next day delivery available in White RAL 9016 (page 3)
- 25 RAL colours and 5 special finishes delivered in up to 15 working days (pages 74-75)



Sizes and Prices

Dimensions (mm)		Cross Tubes	Output Δt 50°C		Product Code	White Ex VAT	White Inc VAT	Colour Ex VAT	Colour Inc VAT	White +Valves Ex VAT	White +Valves Inc VAT	Colour +Valves Ex VAT	Colour +Valves Inc VAT
Height	Width		Watts	Btu's									
780	500	9	345	1177	TALLLR785009	£147.00	£176.40	£248.00	£297.60	£169.00	£202.80	£270.00	£324.00
	600	9	404	1378	TALLLR786009	£185.00	£222.00	£269.00	£322.80	£207.00	£248.40	£291.00	£349.20
1060	500	12	463	1580	TALLLR105012 ♦	£211.00	£253.20	£308.00	£369.60	£233.00	£279.60	£330.00	£396.00
	600	12	546	1863	TALLLR106012	£230.00	£276.00	£336.00	£403.20	£252.00	£302.40	£358.00	£429.60
1340	500	15	581	1982	TALLLR135015	£249.00	£298.80	£359.00	£430.80	£271.00	£325.20	£381.00	£457.20
	600	15	680	2320	TALLLR136015	£274.00	£328.80	£408.00	£489.60	£296.00	£355.20	£430.00	£516.00

*+Valves Prices include Chrome DRAKE Valves, please specify angled or straight at time of order.

+Valves Prices include Chrome DRAKE Valves in angled or straight.

Please specify at time of order



TALLIS Ladder Rail in Black RAL 9005.

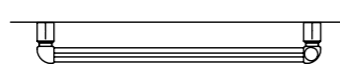
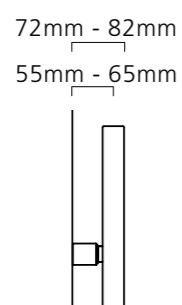
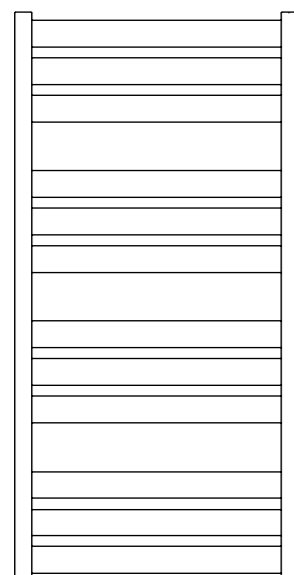


Matching TALLIS Radiators (p.38-41) shown in special finish Carbon.



♦TALLIS Ladder Rail 1060mm x 500mm shown in White RAL 9016 with LIVINGSTONE valves.

Pipe Centres and Technical Drawings



Pipe centres left to right	=	Width less 30mm
Pipe centres from wall	=	55mm - 65mm
Depth from wall	=	72mm - 82mm

NEW SPECIAL FINISHES (shown left to right)

Carbon, Gun Metal Grey, Mottled Copper, Mottled Silver, Textured Matt Black, see pages 74-75 for more information.



Please note: Due to printing processes & manufacturing tolerances the colour of finished radiators may vary from the colours represented in this brochure.

APSLEY Towel Rail

- Manufactured and certified to EN442
- +Valves prices include Chrome DRAKE Valves*
- 22mm Cross Tubes with Extended Towel Bars & 'D' Shaped Collectors
- White RAL 9016 as standard delivered in 48-72 hours
- Optional next day delivery available in White RAL 9016 (page 3)
- 25 RAL colours and 5 special finishes delivered in up to 15 working days (pages 74-75)



+Valves Prices include Chrome DRAKE Valves in angled or straight.



Please specify at time of order

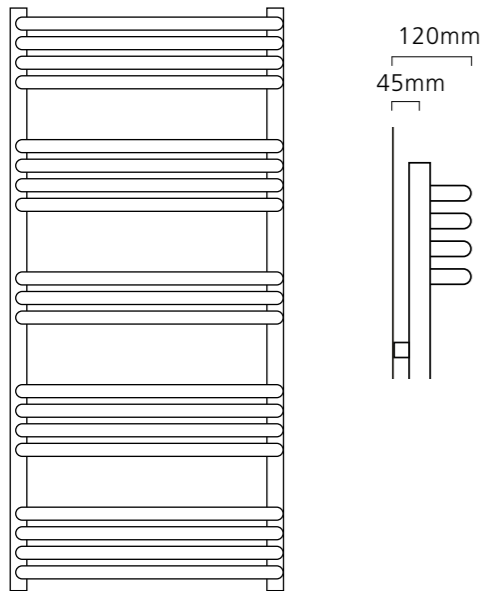
Sizes and Prices

Dimensions (mm)		Cross Tubes	Output Δt 50°C		Product Code	White Ex VAT	White Inc VAT	Colours Ex VAT	Colours Inc VAT	White +Valves Ex VAT	White +Valves Inc VAT	Colours +Valves Ex VAT	Colours +Valves Inc VAT
Height	Width		Watts	Btu's									
620	500	11	300	1024	APSL625011	£105.00	£126.00	£179.00	£214.80	£127.00	£152.40	£201.00	£241.20
	600	11	344	1174	APSL626011	£118.00	£141.60	£205.00	£246.00	£140.00	£168.00	£227.00	£272.40
900	500	16	440	1501	APSL905016 ♦	£122.00	£146.40	£207.00	£248.40	£144.00	£172.80	£229.00	£274.80
	600	16	506	1726	APSL906016	£151.00	£181.20	£239.00	£286.80	£173.00	£207.60	£261.00	£313.20
1100	500	19	540	1842	APSL115019	£132.00	£158.40	£240.00	£288.00	£154.00	£184.80	£262.00	£314.40
	600	19	622	2122	APSL116019	£169.00	£202.80	£277.00	£332.40	£191.00	£229.20	£299.00	£358.80
1300	500	24	641	2187	APSL135024	£147.00	£176.40	£270.00	£324.00	£169.00	£202.80	£292.00	£350.40
	600	24	737	2515	APSL136024	£191.00	£229.20	£308.00	£369.60	£213.00	£255.60	£330.00	£396.00

**Valves Prices include Chrome DRAKE Valves, please specify angled or straight at time of order.

The APSLEY Towel Rail is suitable for use as dual fuel, please see page 73 for available Electric Elements.

Pipe Centres and Technical Drawings



Pipe centres left to right = Width less 40mm
 Pipe centres from wall = 45mm
 Depth from wall = 120mm



White RAL 9016 available for next day delivery (p3).



APSLEY in RAL 7016.



♦ APSLEY Towel Rail 900mm x 500mm, RAL 9007 shown with DRAKE Valves.

25 RAL colours & 5 special finishes available; delivery in up to 15 working days, see pages 74-75 for more information.



WINSFORD Ladder Rail

- Italian design & manufacture, certified to EN442
- +Valves prices include Chrome DRAKE Valves*
- 25mm Steel Straight Cross Tubes
- White RAL 9016 as standard delivered in 48-72 hours
- Optional next day delivery available in White RAL 9016 (page 3)
- 25 RAL colours and 5 special finishes delivered in up to 15 working days (pages 74-75)

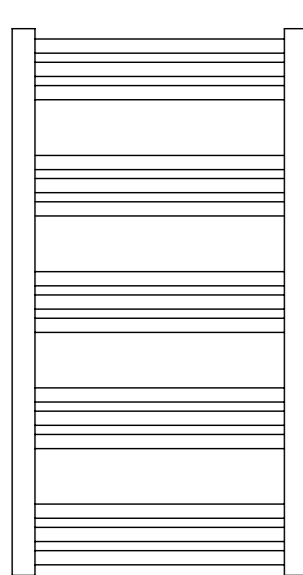


Sizes and Prices

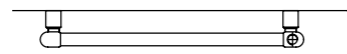
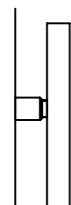
Dimensions (mm)		Cross Tubes	Output Δt 50°C		Product Code	White Ex VAT	White Inc VAT	Colour Ex VAT	Colour Inc VAT	White +Valves Ex VAT	White +Valves Inc VAT	Colour +Valves Ex VAT	Colour +Valves Inc VAT
Height	Width		Watts	Btu's									
759	500	12	370	1262	WINS755012	£61.00	£73.20	£147.00	£176.40	£83.00	£99.60	£169.00	£202.80
964	500	15	418	1426	WINS965015	£68.00	£81.60	£157.00	£188.40	£90.00	£108.00	£179.00	£214.80
1374	500	21	579	1976	WINS135021 ♦	£81.00	£97.20	£191.00	£229.20	£103.00	£123.60	£213.00	£255.60

**Valves Prices include Chrome DRAKE Valves, please specify angled or straight at time of order.

Pipe Centres and Technical Drawings



72mm - 82mm
57mm - 67mm



Pipe centres left to right = Width less 44mm
Pipe centres from wall = 57mm - 67mm
Depth from wall = 72mm - 82mm

+Valves Prices include Chrome DRAKE Valves in angled or straight.



Please specify at time of order



White RAL 9016 available for next day delivery (p.3).



Matching CHAUCER Radiators (p.42-45) shown in RAL 9007.



♦ WINSFORD Ladder Rail 1374mm x 500mm in White RAL 9016 shown with DARWIN Valves.

NEW SPECIAL FINISHES (shown left to right)

Carbon, Gun Metal Grey, Mottled Copper, Mottled Silver, Textured Matt Black, see pages 74-75 for more information.



Please note: Due to printing processes & manufacturing tolerances the colour of finished radiators may vary from the colours represented in this brochure.

ARGYLL

- Manufactured and certified to EN442
- +Valves prices include Chrome DRAKE Valves*
- 22mm Straight or Curved Cross Tubes
- Chrome finish, delivered as standard in 48-72 hours
- Optional next day delivery available (page 3)
- Straight & Curved Argyll available in 3 heights and 2 widths

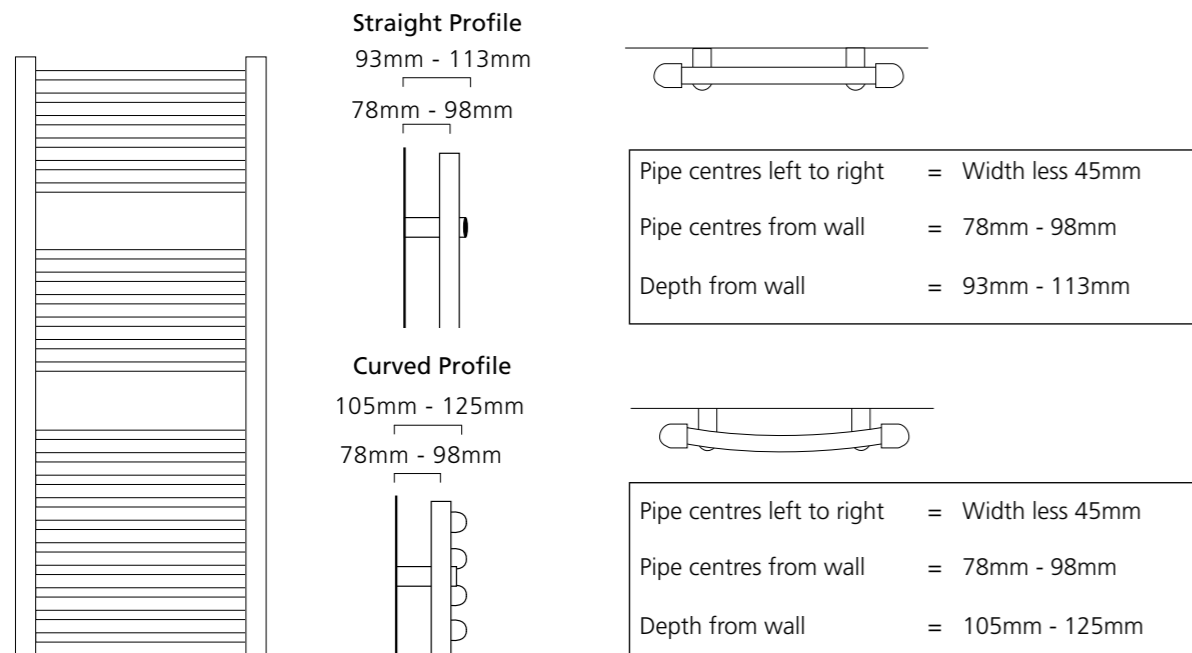


Sizes and Prices

Dimensions (mm)		Cross Tubes	Output Δt 50°C		Product Code	Chrome Ex VAT	Chrome Inc VAT	Chrome +Valves Ex VAT	Chrome +Valves Inc VAT
Height	Width		Watts	Btu's					
Straight									
800	400	14	209	713	ARGS804014C	£79.00	£94.80	£101.00	£121.20
	500	14	252	860	ARGS805014C	£82.00	£98.40	£104.00	£124.80
	600	14	295	1007	ARGS806014C	£88.00	£105.60	£110.00	£132.00
1200	400	21	313	1068	ARGS124021C	£102.00	£122.40	£124.00	£148.80
	500	21	378	1290	ARGS125021C	£105.00	£126.00	£127.00	£152.40
	600	21	443	1512	ARGS126021C	£110.00	£132.00	£132.00	£158.40
1800	500	32	558	1904	ARGS185032C	£149.00	£178.80	£171.00	£205.20
	600	32	654	2231	ARGS186032C	£155.00	£186.00	£177.00	£212.40
Curved									
800	500	14	252	860	ARGC805014C	£84.00	£100.80	£106.00	£127.20
	600	14	295	1007	ARGC806014C	£90.00	£108.00	£112.00	£134.40
1200	500	21	378	1290	ARGC125021C	£110.00	£132.00	£132.00	£158.40
	600	21	443	1512	ARGC126021C	£113.00	£135.60	£135.00	£162.00
1800	500	32	558	1904	ARGC185032C	£158.00	£189.60	£180.00	£216.00
	600	32	654	2231	ARGC186032C	£163.00	£195.60	£185.00	£222.00

**Valves Prices include Chrome DRAKE Valves, please specify angled or straight at time of order.
The ARGYLL is suitable for use as dual fuel, please see page 73 for available Electric Elements.

Pipe Centres and Technical Drawings



+Valves Prices include Chrome DRAKE Valves in angled or straight.



Please specify at time of order



ARGYLL Curved option.



ARGYLL shown with LIVINGSTONE Valves.



◆ARGYLL Straight 1200mm x 400mm shown with DRAKE Valves.

MILTON Towel Rail

- Manufactured and certified to EN442
- +Valves prices include Chrome DRAKE Valves*
- 50mm x 10mm Cross Tubes with 30mm Square Collectors
- White RAL 9016 as standard delivered in 48-72 hours
- Optional next day delivery available in White RAL 9016 (page 3)
- 25 RAL colours and 5 special finishes delivered in up to 15 working days (pages 74-75)



+Valves Prices include Chrome DRAKE Valves in angled or straight.



Please specify at time of order

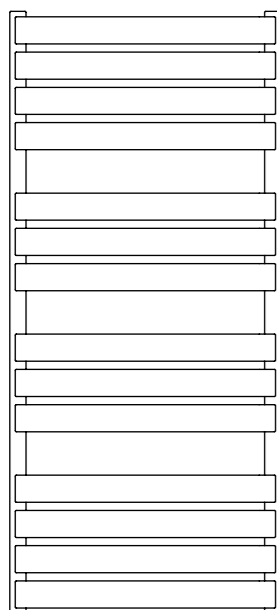
Sizes and Prices

Dimensions (mm)		Cross Tubes	Output Δt 50°C		Product Code	White Ex VAT	White Inc VAT	Colour Ex VAT	Colour Inc VAT	White +Valves Ex VAT	White +Valves Inc VAT	Colour +Valves Ex VAT	Colour +Valves Inc VAT
Height	Width		Watts	Btu's									
655	500	8	325	1109	MILT655008	£197.00	£236.40	£273.00	£327.60	£219.00	£262.80	£295.00	£354.00
785	500	10	400	1365	MILT785010	£227.00	£272.40	£303.00	£363.60	£249.00	£298.80	£325.00	£390.00
915	500	12	475	1621	MILT915012	£257.00	£308.40	£333.00	£399.60	£279.00	£334.80	£355.00	£426.00
1110	500	14	553	1887	MILT115014	£287.00	£344.40	£372.00	£446.40	£309.00	£370.80	£394.00	£472.80

**Valves Prices include Chrome DRAKE Valves, please specify angled or straight at time of order.

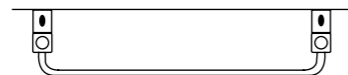
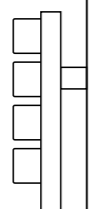
The MILTON Towel Rail is suitable for use as dual fuel, please see page 73 for available Electric Elements.

Pipe Centres and Technical Drawings



112mm - 120mm

55mm - 65mm



Pipe centres left to right = Width less 30mm

Pipe centres from wall = 57mm - 65mm

Depth from wall = 112mm - 120mm



MILTON Towel Rail in RAL 9005.



MILTON Towel Rail 655 x 500



♦ MILTON Towel Rail 1110mm x 500mm in White RAL 9016 shown with DARWIN Valves.

25 RAL colours & 5 special finishes available; delivery in up to 15 working days, see pages 74-75 for more information.



ASHBY

- Italian design & manufacture, certified to EN442
- +Valves prices include Chrome DRAKE Valves*
- Steel Flat Tube Towel Rail, 50mm x 10mm Cross Tubes
- White RAL 9016 as standard delivered in 48-72 hours
- Optional next day delivery available in White RAL 9016 (page 3)
- 25 RAL colours and 5 special finishes delivered in up to 15 working days (pages 74-75)

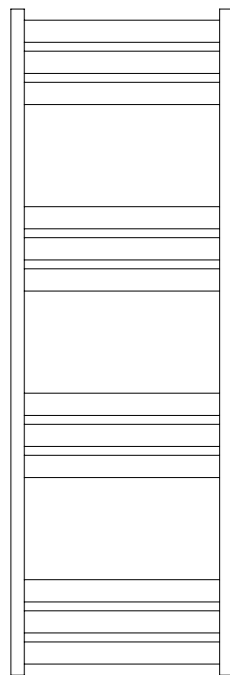


Sizes and Prices

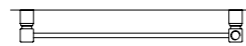
Dimensions (mm)		Cross Tubes	Output Δt 50°C		Product Code	Price Ex VAT	Price Inc VAT	Price +Valves Ex VAT	Price +Valves Inc VAT
Height	Width		Watts	Btu's					
White									
1080	500	9	359	1225	ASHB105009W	£132.00	£158.40	£154.00	£184.80
1500		12	552	1883	ASHB155012W	£169.00	£202.80	£191.00	£229.20
Colour									
1080	500	9	359	1225	ASHB105009R	£243.00	£291.60	£265.00	£318.00
1500		12	552	1883	ASHB155012R	£308.00	£369.60	£330.00	£396.00
Chrome									
1080	500	9	234	798	ASHB105009C	£248.00	£297.60	£270.00	£324.00
1500		12	359	1225	ASHB155012C	£317.00	£380.40	£339.00	£406.80

**Valves Prices include Chrome DRAKE Valves, please specify angled or straight at time of order.

Pipe Centres and Technical Drawings



72mm - 82mm
57mm - 67mm



Ashby
 Pipe centres left to right = Width less 30mm
 Pipe centres from wall = 57mm - 67mm
 Depth from wall = 72mm - 82mm

+Valves Prices include Chrome DRAKE Valves in angled or straight.



Please specify at time of order



ASHBY shown in Chrome.



Shown in Standard White RAL 9016.



◆ASHBY 1080mm x 500mm in RAL 9005 shown with DRAKE Valves.

NEW SPECIAL FINISHES (shown left to right)

Carbon, Gun Metal Grey, Mottled Copper, Mottled Silver, Textured Matt Black, see pages 74-75 for more information.



Please note: Due to printing processes & manufacturing tolerances the colour of finished radiators may vary from the colours represented in this brochure.

LANARK Stainless Steel

- Manufactured and certified to EN442
- +Valves prices include Chrome DRAKE Valves*
- 22mm Cross Tube Stainless Steel Towel Rail
- Polished Stainless Steel finish, delivered as standard in 48-72 hours
- Optional next day delivery available (page 3)
- Suitable for direct systems



Sizes and Prices

Dimensions (mm)		Cross Tubes	Output Δt 50°C		Product Code	Price Ex VAT	Price Inc VAT	Price +Valves Ex VAT	Price +Valves Inc VAT
Height	Width		Watts	Btu's					
Straight									
800	500	12	198	676	LANS8050SS	£246.00	£295.20	£268.00	£321.60
	600	12	233	795	LANS8060SS	£270.00	£324.00	£292.00	£350.40
1200	500	18	314	1071	LANS1250SS	£335.00	£402.00	£357.00	£428.40
	600	18	371	1266	LANS1260SS	£373.00	£447.60	£395.00	£474.00
Curved									
800	500	12	198	676	LANC8050SS	£268.00	£321.60	£290.00	£348.00
	600	12	233	795	LANC8060SS	£293.00	£351.60	£315.00	£378.00
1200	500	18	314	1071	LANC1250SS	£379.00	£454.80	£401.00	£481.20
	600	18	371	1266	LANC1260SS	£400.00	£480.00	£422.00	£506.40

*+Valves Prices include Chrome DRAKE Valves, please specify angled or straight at time of order.

The LANARK is suitable for use as dual fuel, please see page 73 for available Electric Elements.

Pipe Centres and Technical Drawings

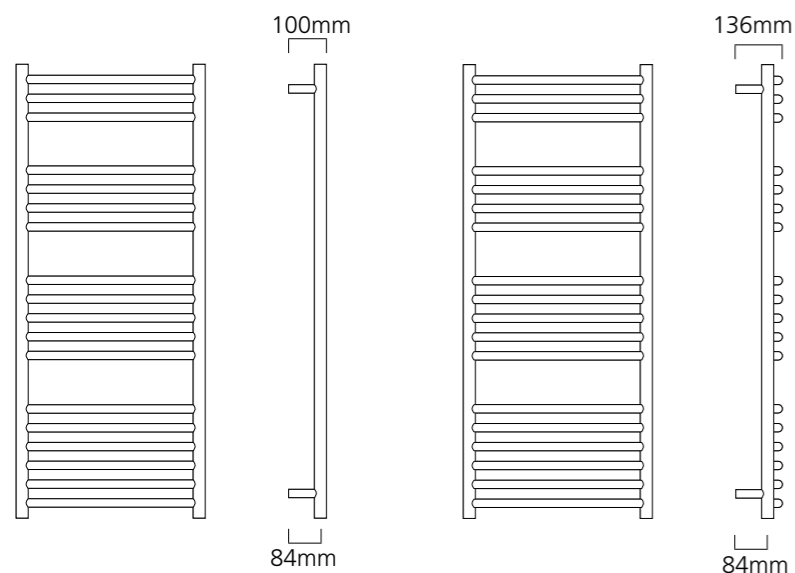
Straight Ladder Rail

Straight Profile



Curved Ladder Rail

Curved Profile



Lanark Straight
 Pipe centres left to right = Width less 32mm
 Pipe centres from wall = 84mm
 Depth from wall = 100mm

Lanark Curved
 Pipe centres left to right = Width less 32mm
 Pipe centres from wall = 84mm
 Depth from wall = 136mm

+Valves Prices include Chrome DRAKE Valves in angled or straight.



Please specify at time of order



LANARK Curved option.



LANARK with DRAKE Valves



◆LANARK Straight 1200mm x 500mm shown with DRAKE Valves.

CLEVES

- Manufactured & certified to EN442
- +Valves prices include Chrome WILLOW Valves*
- Classic Steel Towel Rail in Chrome, delivered as standard in 48-72 hours
- Optional next day delivery available (page 3)
- Floor Standing or Wall Mounted options
- Dual Fuel available please specify at time of order



Sizes and Prices

Dimensions (mm)			Cross Tubes	Output Δt 50°C		Product Code	Chrome Ex VAT	Chrome Inc VAT	Chrome +Valves Ex VAT	Chrome +Valves Inc VAT
Height	Width	Depth		Watts	Btu's					
Wall Mounted										
750	500	125	4	169	577	CLEV75504C	£328.00	£393.60	£359.00	£430.80
Floor Standing										
848	598	137	4	163	556	CLEV845904C	£338.00	£405.60	£369.00	£442.80
1548	598	144	5	310	1058	CLEV155905C ♦	£411.00	£493.20	£442.00	£530.40

*+Valve Prices include Chrome WILLOW Valves, angled only.

Supplement Prices for Dual Fuel Option

Description	Product Code	Price Ex VAT	Price Inc VAT
75W Dual Energy Element (for Floor Standing Rail)	75WDEELE	£44.00	£52.80
100W Dual Energy Element (for Wall Mounted Rail)	100WDEELE	£50.00	£60.00

Note: A T-piece is required for dual fuel, please see the bottom of page 73 for more information.

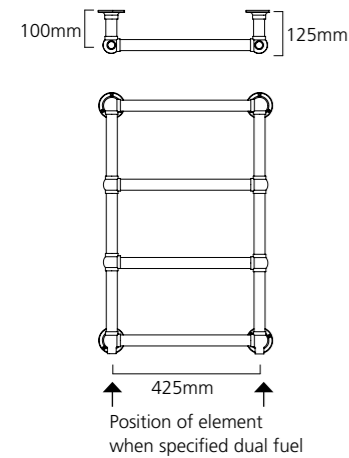
Please Note: Elements have an IP rating of 55 and are guaranteed for 2 years.



CLEVES Floor Standing option.

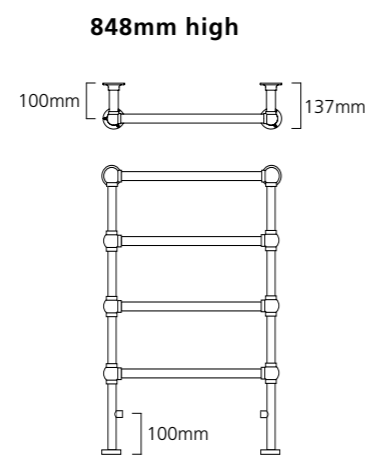
Pipe Centres and Technical Drawings

CLEVES Wall Mounted 750mm high



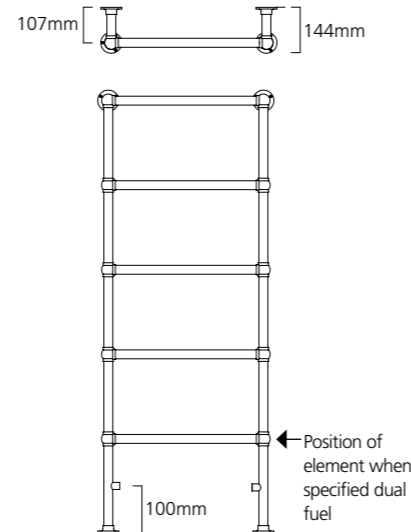
Pipe centres left to right = Width less 75mm
 Pipe centres from wall = 100mm
 Depth from wall = 125mm

CLEVES Floor Standing 848mm high



848mm high
 Pipe centres left to right = Width less 145mm less valves
 Pipe centres from wall = 100mm
 Depth from wall = 137mm

1548mm high



1548mm high
 Pipe centres left to right = Width less 145mm less valves
 Pipe centres from wall = 107mm
 Depth from wall = 144mm



CLEVES Wall Mounted option.



♦ CLEVES Floor Standing 1548mm x 598mm shown with WILLOW Valves.

BOLEYN

- Manufactured and certified to EN442
- +Valves prices include Chrome WILLOW Valves*
- Classic Towel Rail with a Steel 3 Column Radiator
- Chrome with RAL 9016 sections, delivered as standard in 48-72 hours
- Optional next day delivery available (page 3)
- Dual Fuel Option available, please specify at time of order



◆ BOLEYN Floor Standing 965mm x 765mm shown with WILLOW Valves.

Sizes and Prices

Dimensions (mm)			Sections	Output Δt 50°C		Product Code	Price Ex VAT	Price Inc VAT	Price +Valves Ex VAT	Price +Valves Inc VAT
Height	Width	Depth		Watts	Btu's					
Floor Standing										
965	540	230	5	392	1338	BOLE965405	£355.00	£426.00	£386.00	£463.20
	673	230	8	554	1890	BOLE966708	£421.00	£505.20	£452.00	£542.40
	765	230	10	653	2228	BOLE967610	£484.00	£580.80	£515.00	£618.00
Wall Mounted										
740	675	250	8	568	1938	BOLE746708	£493.00	£591.60	£524.00	£628.80

*+Valve Prices include Chrome WILLOW Valves, angled only.

Supplement Prices for Dual Fuel Option

Description	Product Code	Price Ex VAT	Price Inc VAT
200W Dual Energy Element (for 5 Section Rail)	200WDEELE	£49.00	£58.80
400W Dual Energy Element (for 8 & 10 Section Rail)	400WDEELE	£56.00	£67.20

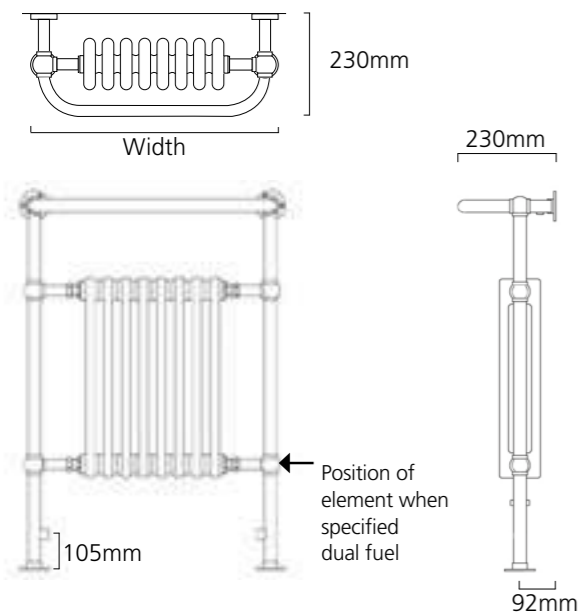
Note: A T-piece is required for dual fuel, please see the bottom of page 73 for more information.

Please Note: Elements have an IP rating of 55 and are guaranteed for 2 years.

Pipe Centres and Technical Drawings

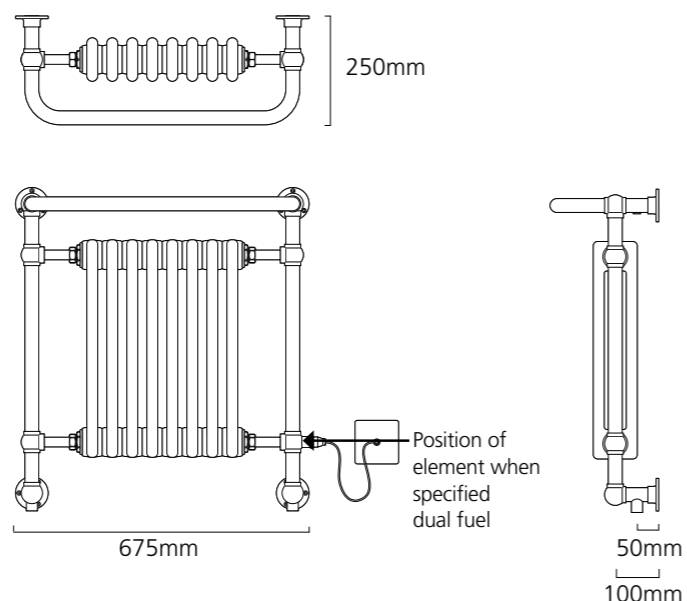
Boleyn Floor Standing

Pipe centres left to right = Width less 145mm less valves
 Pipe centres from wall = 92mm
 Depth from wall = 230mm



Boleyn Wall Mounted

Pipe centres left to right = Width less 75mm
 Pipe centres from wall = 50mm
 Depth from wall = 250mm



BOLEYN Wall Mounted option available.



Dual Fuel option available.



+Valves Prices include Chrome WILLOW Valves

Please specify at time of order

MANUAL VALVES & VALVE KITS

Please note all valves are sold in pairs - Lockshield & Wheelhead. These valves are not Bi-directional.



DRAKE



Description	Angled / Straight	Product Code	Price Ex VAT	Price Inc VAT
Chrome Drake Valve	Angled	DRAKANROUMC	£33.00	£39.60
Chrome Drake Valve	Straight	DRAKSTROUMC	£33.00	£39.60

For angled valves allow an extra 70mm in total

DRAKE KIT



Description	Angled / Straight	Product Code	Price Ex VAT	Price Inc VAT
Chrome Drake Kit	Angled	DRAKANKITC	£60.00	£72.00
Chrome Drake Kit	Straight	DRAKSTKITC	£60.00	£72.00

Drake Kit includes Lockshield & Wheelhead with Chrome Pipe Covers & Shrouds
Save money when you buy the Drake, Pipe Covers & Shroud as a kit.

WILLOW



Description	Angled	Product Code	Price Ex VAT	Price Inc VAT
Chrome Willow Valve	Angled	WILLANXHEADMC	£43.00	£51.60

For angled valves allow an extra 80mm in total

LIVINGSTONE



Description	Angled	Product Code	Price Ex VAT	Price Inc VAT
Chrome Livingstone Valve	Angled	LIVIANXHEADMC	£39.00	£46.80

For angled valves allow an extra 80mm in total

DARWIN



Description	Product Code	Price Ex VAT	Price Inc VAT
Chrome Darwin Corner Valve	DARCORNC	£56.00	£67.20

For angled valves allow an extra 90mm in total

THERMOSTATIC VALVES

Please note all valves are sold in pairs - Lockshield & Wheelhead. These valves are not Bi-directional.



KINGSTON TRV



For angled valves allow an extra 80mm in total

Description	Angled / Straight	Product Code	Price Ex VAT	Price Inc VAT
Kingston TRV Valve - White	Angled	KINGANTRVW	£60.00	£72.00
Kingston TRV Valve - Chrome		KINGANTRVC	£70.00	£84.00
Kingston TRV Valve - Nickel		KINGANTRVN	£99.00	£118.80
Kingston TRV Valve - Antique Bronze		KINGANTRVAB	£99.00	£118.80
Kingston TRV Valve - Antique Copper		KINGANTRVAC	£99.00	£118.80
Kingston TRV Valve - White	Straight	KINGSTRVW	£60.00	£72.00
Kingston TRV Valve - Chrome		KINGSTRVC	£70.00	£84.00
Kingston TRV Valve - Nickel		KINGSTRVN	£102.00	£122.40
Kingston TRV Valve - Antique Bronze		KINGSTRVAB	£102.00	£122.40
Kingston TRV Valve - Antique Copper		KINGSTRVAC	£102.00	£122.40



SHIRE TRV



Description	Angled / Straight	Product Code	Price Ex VAT	Price Inc VAT
Brass Shire TRV Valve	Angled	SHIRANTRVBR	£92.00	£110.40
Brass Shire TRV Valve	Straight	SHIRSTTRVBR	£97.00	£116.40

For angled valves allow an extra 80mm in total



Description	Angled / Straight	Product Code	Price Ex VAT	Price Inc VAT
Chrome Shire TRV Valve	Angled	SHIRANTRVC	£92.00	£110.40
Chrome Shire TRV Valve	Straight	SHIRSTTRVC	£97.00	£116.40

Please note due to manufacturing tolerances pipe centres may vary by +/- 5mm, we recommend that pipe work is not altered until your radiator/ towel rail has been delivered.

THERMOSTATIC VALVES & VALVE KITS

Please note all valves are sold in pairs - Lockshield & Wheelhead. These valves are not Bi-directional.



WELLINGTON TRV



Description	Angled / Straight	Product Code	Price Ex VAT	Price Inc VAT
Chrome Wellington TRV Valve	Angled	WELLANTRVC	£63.00	£75.60
White Wellington TRV Valve		WELLANTRVV	£63.00	£75.60
Chrome Wellington TRV Valve	Straight	WELLSTRVC	£63.00	£75.60
White Wellington TRV Valve		WELLSTRVV	£63.00	£75.60

For angled valves allow an extra 80mm in total

Please note due to manufacturing tolerances pipe centres may vary by +/- 5mm, we recommend that pipe work is not altered until your radiator/ towel rail has been delivered.

WELLINGTON TRV KITS



Wellington TRV Kits include; Lockshield & Wheelhead with Chrome Pipe Covers & Shrouds

Description	Angled / Straight	Product Code	Price Ex VAT	Price Inc VAT
Chrome Wellington TRV Kit	Angled	WELLANKITC	£94.00	£112.80
White Wellington TRV Kit		WELLANKITW	£94.00	£112.80
Chrome Wellington TRV Kit	Straight	WELLSTKITC	£94.00	£112.80
White Wellington TRV Kit		WELLSTKITW	£94.00	£112.80

Save money when you buy the Wellington TRV and Pipe Covers and Shroud as a kit.

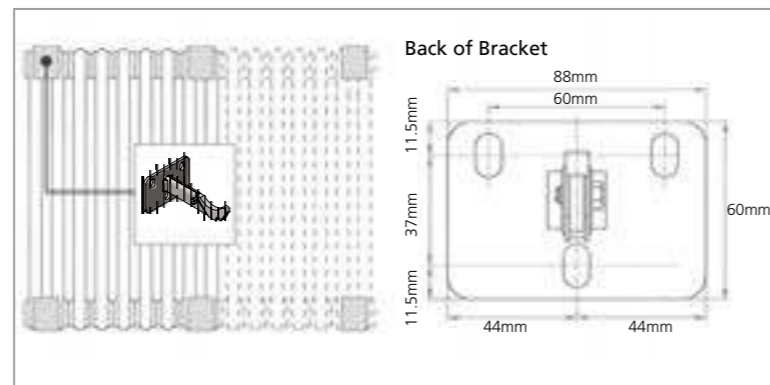
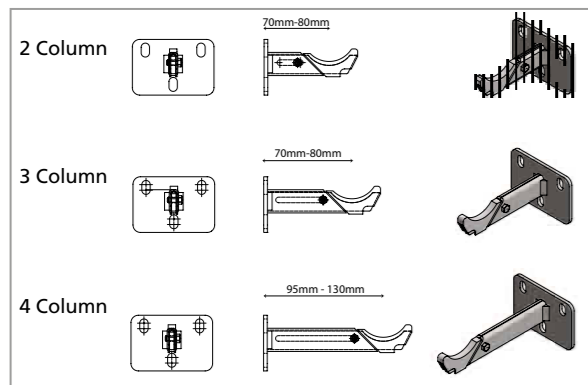
STUD WALL BRACKET FOR CORNEL

Sold in kits these new brackets are designed specifically for stud wall situations where standard brackets are unsuitable. These brackets have height adjustable screws to enable accurate levelling of the radiator, they come with a galvanised back plate which you can paint to match your wall colour. Please order these brackets when you order your radiators.

Description	Product Code	White Ex VAT	White Inc VAT	Colour Ex VAT	Colour Inc VAT
4 Bracket Kit for 2 & 3 column CORNEL radiator	CORNSTWB2&3C4	£41.00	£49.20	£53.00	£63.60
6 Bracket Kit for 2 & 3 column CORNEL radiator	CORNSTWB2&3C6	£61.00	£73.20	£80.00	£96.00
4 Bracket Kit for 4 column CORNEL radiator	CORNSTWB4C4	£45.00	£54.00	£60.00	£72.00
6 Bracket Kit for 4 column CORNEL radiator	CORNSTWB4C6	£68.00	£81.60	£89.00	£106.80



Note: 4 brackets required per radiator up to 20 sections, 22 sections or more require 6 brackets



ACCESSORIES



CORNEL TOWEL BAR

Suitable for Cornel Radiators only



Description	Product Code	Price Ex VAT	Price Inc VAT
Chrome 6 Section Towel Bar	CORNTB6SEC	£50.00	£60.00
Chrome 8 Section Towel Bar	CORNTB8SEC	£61.00	£73.20

PIPE COVERS & SHROUDS NEW COLOURS

Creating a neat finish for your radiator.



Description	Product Code	Price Ex VAT	Price Inc VAT
Chrome Pipe Covers & Shrouds	PIPCOVSHRC	£33.00	£39.60
White Pipe Covers & Shrouds	PIPCOVSHRW	£33.00	£39.60
Nickel Pipe Covers & Shrouds	PIPCOVSHRN	£33.00	£39.60
Antique Bronze Pipe Covers & Shrouds	PIPCOVSHRAB	£33.00	£39.60
Antique Copper Pipe Covers & Shrouds	PIPCOVSHRAC	£33.00	£39.60

RADSNAPS

Plastic pipe covers; cut to size and clip on.



Description	Product Code	Price Ex VAT	Price Inc VAT
Radsnap 3 x 1 Metre White	RADSNAPWH	£14.50	£17.40
Radsnap 3 x 1 Metre Chrome	RADSNAPCH	£16.50	£19.80

STAINLESS STEEL CLEANING GLOVE

Stainless Steel Cleaning Glove.



Description	Product Code	Price Ex VAT	Price Inc VAT
Stainless Steel Cleaning Glove	STSGLOV	£10.50	£12.60

ACCESSORIES



HANGING BARS

Description	Suitable for use with	Product Code	Price Ex VAT	Price Inc VAT
White Universal Hanging Bar 360mm	Chaucer Single Horizontal, Winsford	UNIHB360W	£34.00	£40.80
Chrome Universal Hanging Bar 360mm	Argyll, Chaucer Single Horizontal, Winsford	UNIHB360C	£39.00	£46.80
White Universal Hanging Bar 560mm	Chaucer Single Horizontal	UNIHB560W	£35.00	£42.00
Chrome Universal Hanging Bar 560mm	Chaucer Single Horizontal	UNIHB560C	£40.00	£48.00



HANGING PEGS

Description	Suitable for use with	Product Code	Price Ex VAT	Price Inc VAT
White Universal Hanging Pegs (Pair)	Chaucer Single Horizontal, Winsford	UNIHPW	£21.00	£25.20
Chrome Universal Hanging Pegs (Pair)	Argyll, Chaucer Single Horizontal, Winsford	UNIHPC	£25.00	£30.00



SAXON HANGING BARS

Description / Minimum number of sections to fit	Product Code	Price Ex VAT	Price Inc VAT
White Hanging Bar 480mm / minimum of 8 sections to fit	SAXHHB480W	£50.00	£60.00
Chrome Hanging Bar 480mm / minimum of 8 sections to fit	SAXHHB480C	£58.00	£69.60
White Hanging Bar 320mm / minimum of 6 sections to fit	SAXHHB320W	£50.00	£60.00
Chrome Hanging Bar 320mm / minimum of 6 sections to fit	SAXHHB320C	£58.00	£69.60



SAXON HANGING PEGS

Description	Product Code	Price Ex VAT	Price Inc VAT
White Hanging Peg (each)	SAXHHPW	£16.50	£19.80
Chrome Hanging Peg (each)	SAXHHPC	£20.00	£24.00

ACCESSORIES - ELEMENTS



There are two types of element you can use with your towel rail; manual electric element and thermostatic electric element. Use a T-Piece to enable the towel rail to be dual fuel - electric and hot water/

Chrome Round Head Manual Electric Element



The manual electric element has basic functionality, it maintains a constant heat and is either on or off. Control is via a switched fused spur, the neon light indicates if the element is on.

Chrome Round Thermostatic Electric Element



The thermostatic electric element monitors the temperature of the towel rail and activates the element as required. It has a range of set temperature options which can be selected manually.

How to choose your Element

It is important to select the correct size element for your towel rail. Too small and it will not provide enough heat, too large and it can burn out.

The chart opposite will help you choose the right size element; we have listed the towel rail output in watts and the corresponding recommended size of element.

Towel Rail output range in Watts	Electric Elements
165 - 255	200w
260 - 375	300w
380 - 530	400w
535 - 735	600w
740 - 920	800w
920 - 1100	1000w

ELECTRIC ELEMENTS

Description	Manual / Thermostatic	Output	IP Rating	Product Code	Price Ex VAT	Price Inc VAT
White Round Head Electric Element	Manual	200, 300, 400, 600, 800 & 1000 watts	IP 55	ROUELEW	£63.00	£75.60
Chrome Round Head Electric Element		200, 300, 400, 600, 800 & 1000 watts	IP 55	ROUELEC	£68.00	£81.60
White Round Thermostatic Electric Element	Thermostatic	300, 600, 1000 watts	IP 54	ROUTELEW	£101.00	£121.20
Chrome Round Thermostatic Electric Element		300, 600, 1000 watts	IP 54	ROUTELEC	£108.00	£129.60

T-PIECES

50mm and 75mm T-Pieces are available as an optional extra, choose a 75mm T-Piece if you require additional length to match your pipe centres or you would like a different aesthetic finish.



White 75mm & 50mm



Chrome 75mm & 50mm



Brushed Nickel 75mm & 50mm

50mm T-Piece

Description	Product Code	Price Ex VAT	Price Inc VAT
Chrome T-Piece 50mm	TPIECE50C	£11.50	£13.80
White T-Piece 50mm	TPIECE50W	£11.50	£13.80
Brushed Nickel T-Piece 50mm	TPIECE50N	£11.50	£13.80

75mm T-Piece

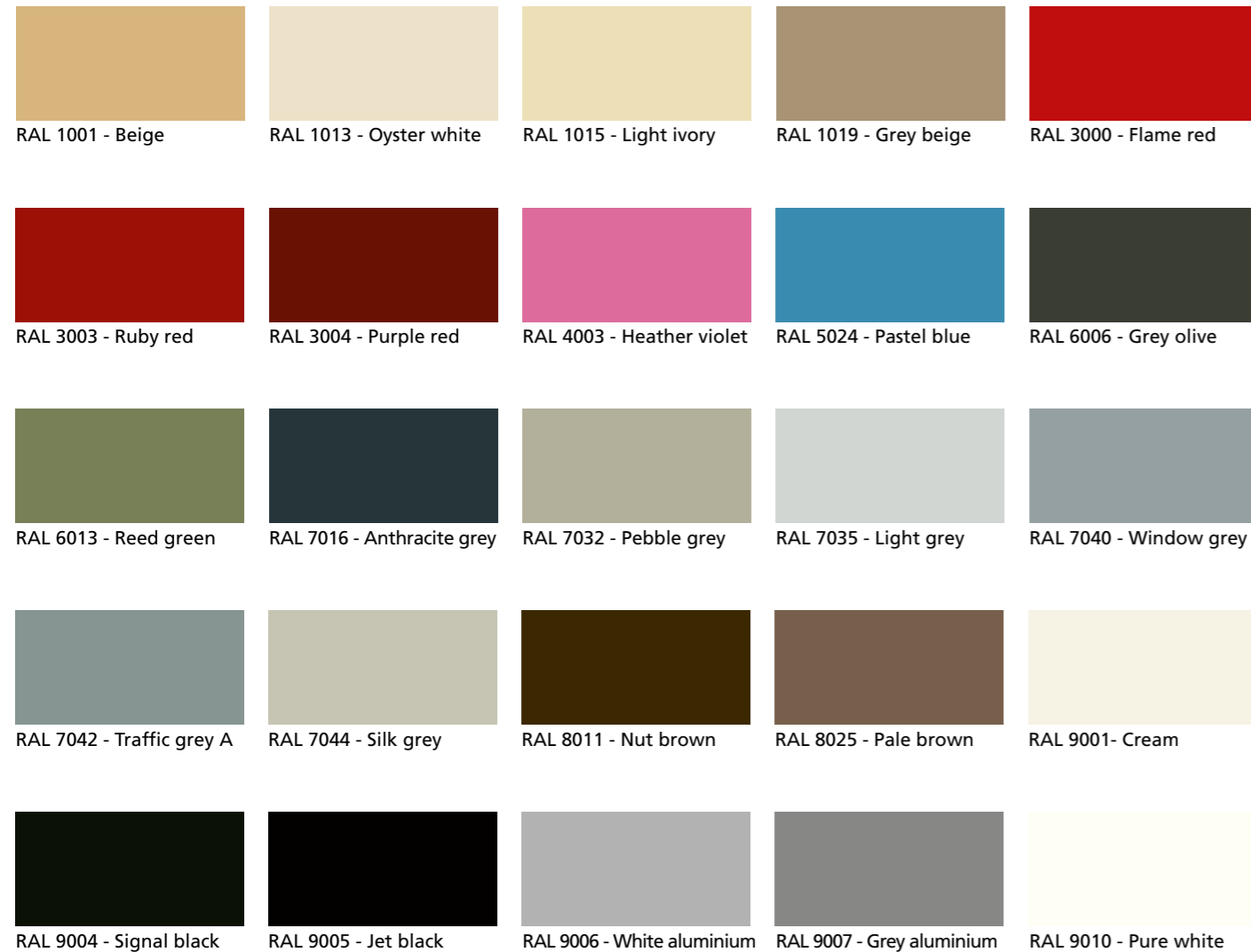
Description	Product Code	Price Ex VAT	Price Inc VAT
Chrome T-Piece 75mm	TPIECE75C	£13.50	£16.20
White T-Piece 75mm	TPIECE75W	£13.50	£16.20
Brushed Nickel T-Piece 75mm	TPIECE75N	£13.50	£16.20

RAL COLOURS

All white Radiator and Towel Rail ranges are also available in a choice of 25 RAL colours (excluding the WESSEX, ARGYLL, LANARK stainless steel and the traditional CLEVES & BOLEYN towel rails)

Your new radiator or towel rail will be painted by our UK based specialists in a long lasting satin finish. To allow for the colour process, delivery will be up to 15 working days to UK mainland invoice addresses, offshore islands may take longer where we aim to deliver within 20 working days. For orders of more than 10 radiators please allow an additional 5 working days. 25 popular RAL colours to choose from, painted in a satin sheen finish, similar to eggshell.

RAL 9016 - Traffic White supplied as standard (excluding the SAXON & WOBURN supplied in RAL 9010 as standard).



Please Note; delivery dates can only be confirmed once we have receipt of your chosen RAL colour number; please ensure your selected colour number and name is included on your order.

Please note: Due to the printing process and manufacturing tolerances the colour (including white) of a finished radiator may vary slightly from the colours represented in this brochure. It should also be noted that the final finished colour of radiators ordered in the same colour but at different times may vary due to production processes.

To discuss a quotation for other colours outside of the above range please call 01342 306880.



SPECIAL FINISHES

New for this edition we are now able to offer 5 Special Finishes for all radiators and towel rails that are currently available in RAL colours.

Carbon, Gun Metal Grey, Mottled Copper, Mottled Silver & Textured Matt Black are available for delivery in up to 15 working days.



Carbon

A softly textured matt finish, this dark tone is one of our most popular colours. With the growing trend for dark matt greys and black for both walls and now taps and fittings, Carbon is the perfect complement.



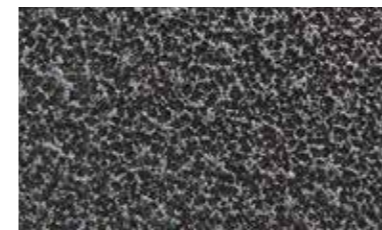
Gun Metal Grey

This dark grey satin finish is a perennial favourite. With a fine dusting of silver that creates a subtle detailing.



Mottled Copper

The first of our two mottled effects, the copper and black tones are perfect for a more traditional look, the mottled effect produces a hammered textured finish. The colours combine to give a fine two-tone finish that works particularly well on CORNEL multi column.



Mottled Silver

The second mottled finish, can work well in both contemporary or traditional schemes. The silver and black combination produces a more industrial hammered finish.



Textured Matt Black

A matt finish with a stippled texture that is less pronounced than the mottled effect above.

Please note: Due to the printing process and manufacturing tolerances the colour of a finished radiator may vary slightly from the colours represented in this brochure. It should also be noted that the final finished colour of radiators ordered in the same colour but at different times may vary due to production processes.